

SIGSAUER®



P365® PISTOLS

OPERATOR'S MANUAL: HANDLING & SAFETY INSTRUCTIONS



READ THE INSTRUCTIONS AND WARNINGS IN THIS MANUAL CAREFULLY BEFORE USING THIS FIREARM.



WARNINGS



WARNINGS

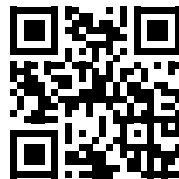
SIGSAUER



WARNING

BEFORE OPERATING THE FIREARM, REVIEW THE SAFETY WARNINGS MANUAL THAT WAS PROVIDED WITH THE FIREARM. ALTERNATIVELY, REFER TO SIGSAUER.COM FOR THE LATEST SAFETY WARNING INFORMATION.

For more information, scan the QR code below to visit sigauer.com.





WARNINGS

1.0 SAFETY WARNINGS

READ THIS ENTIRE MANUAL THOROUGHLY AND CAREFULLY PRIOR TO USING THIS FIREARM.

The warnings in this Operator's Manual are extremely important. By understanding the dangers inherent in the use of any firearm, and by taking the precautions described in this manual, you can experience a high level of safety in the use of your firearm. Failure to heed any of these warnings may result in serious injury or death to you or others, as well as severe damage to the firearm or other property.

WARNINGS in this manual identify a clear danger to the person performing that procedure. Warnings are identified by a red banner with the word **WARNING** in white, bold, uppercase letters and a **WARNING** icon. Failure to comply with a **WARNING** can result in serious injury or death to you or a bystander.



WARNING

CAUTIONS in this manual identify a risk of damage to the firearm being maintained. **CAUTIONS** are identified by a black banner with the word **CAUTION** in white, bold, uppercase letters.

CAUTION



WARNINGS

SIG SAUER

SIG SAUER, INC.[®] firearms are designed to function reliably with proper care and knowledgeable use. Operators must understand the safe operation and use of any SIG SAUER firearm. Read and follow these instructions carefully. Do not use the firearm without understanding the instructions outlined in this manual and the safe operation of the firearm. **Failure to follow the instructions outlined in this manual may result in serious injury or death to the operator and/or others. Damage to the firearm and other property may also occur.**



WARNINGS

2.0 HANDLING

2.0.1 SAFETY MECHANISMS

MANUAL SAFETY

Consistent with individual operators' philosophies of use, SIG SAUER offers the P365 with and without a manual safety, and the decision whether to deploy a manual safety rests with the operator. This is an important decision that must consider several factors, including the intended use of the firearm (e.g., law enforcement, defensive carry, home defense, range use, competition), level of firearms experience and training, frequency of practice, holster selection, and carry position, among others. The internal safeties on the P365 are designed to prevent it from firing without the trigger being fully pulled. When the trigger is pulled or depressed, even unintentionally—whether by a finger or foreign object—the P365 firearm will fire as designed. When engaged, a manual safety locks the trigger and prevents it from being accidentally or intentionally pulled, providing additional protection from unintentional discharge. However, an engaged manual safety will also prevent an operator from firing their pistol even when they need it to fire if the manual safety is not first disengaged.

SIG SAUER encourages those considering the purchase of a P365 firearm to carefully evaluate whether a manual safety would be the best choice for them.



WARNINGS

SIG SAUER

Regardless of whether a firearm is equipped with an external manual safety, it remains the operator's obligation to continue to practice safe firearm handling. Firearms should always be treated as loaded and must be handled in a safe manner even if the firearm is equipped with a manual safety. Trigger discipline and utilizing an appropriate holster that protects the trigger when a firearm is being carried are of paramount importance even for firearms that have a manual safety (as the pistol can be carried with the safety in a disengaged condition). Be advised, however, that holsters, while offering further trigger protection, do not prevent accidental discharges as it may be possible for a foreign object to get into the holster, particularly with light-bearing holsters. Extreme caution should be taken when holstering and unholstering a pistol to ensure nothing gets into the holster. Pistol safeties, whether internal or external, should never be relied upon to excuse undisciplined handling of a firearm.

This firearm may not have a manual safety if you have made the decision, based on the factors above, to purchase a gun without a manual safety. A manual safety – when engaged -- is designed to mechanically prevent the firearm from discharging when the trigger is pulled or pressed, either intentionally or unintentionally. **THE MOST EFFECTIVE SAFETY IS TO CARRY YOUR PISTOL WITHOUT A ROUND IN THE CHAMBER, AND TO LOAD A ROUND IN THE CHAMBER ONLY WHEN READY TO FIRE.** Regardless of whether your firearm is equipped with a manual safety you must take steps to protect against unintentional movement of the trigger, particularly if you elect to carry your pistol with a round in the chamber. If you have a round in the chamber and the trigger is pressed to the rear, the firearm will fire absent an engaged manual safety.



WARNINGS

A manual safety is designed to augment, not replace, safe firearm handling practices. You are responsible to protect against inadvertent trigger movement while carrying any firearm. Even if your firearm is equipped with a manual safety, you must ensure that the trigger is not contacted in any circumstance—whether by finger or an object—other than when you intend to discharge the firearm.

2.0.2 BASIC RULES OF SAFE FIREARMS HANDLING

- ALWAYS treat every firearm as if it were loaded.
- ONLY load a round in the chamber when ready to fire.
- NEVER pull the trigger or place fingers on the trigger or in the trigger guard until ready to fire.
- NEVER allow clothing or other foreign objects to interfere or come in contact with the trigger.
- ALWAYS carry a pistol in a holster specifically designed for that pistol. It is the responsibility of the customer to ensure the holster is compatible with their specific pistol and any installed accessories.
- ALWAYS be sure the barrel is clear of any obstruction.
- ALWAYS be aware of the surroundings, and the safety of bystanders before shooting. Know the target and what is in front of and beyond it.
- ALWAYS use clean, dry, original factory-made ammunition of the proper type and caliber for the firearm.
- ALWAYS wear ear protection and safety glasses when shooting.



WARNINGS

SIG SAUER

- ALWAYS carry a firearm so that control of the muzzle can be maintained in the event of a fall or stumble.
- NEVER shoot at a flat surface or water.
- DO NOT leave a loaded firearm unattended. Only store a firearm that is unloaded, cleared of all ammunition, and locked in a secure place inaccessible to children or unauthorized persons.
- NEVER allow the firearm to be used by anyone who has not read and understood the Operator's Manual.
- ALWAYS unload and clear a firearm according to the instructions in the Operator's Manual before handing it to another person.
- DO NOT point any firearm, loaded or unloaded, at any undesignated or unsafe target.
- NEVER discharge a firearm near an animal unless the animal is trained to accept the noise. An animal's startled reaction could injure it or cause an accident.
- NEVER drink alcoholic beverages or use drugs before or during shooting, as vision and judgment could be seriously impaired, making firearm handling unsafe.
- ALWAYS seek a doctor's advice before using a firearm if using medication that would impair judgment or usage.



WARNINGS

2.1 ABUSIVE HANDLING

SIG SAUER firearms incorporate effective mechanical safeties. However, like any mechanical device, exposure to abusive conditions may harm these safety mechanisms and cause them to fail to work as designed. Do not subject the SIG SAUER firearm to any abusive handling. This includes the firearm being dropped, impact to the firearm, or the firearm being struck by another object. Always maintain control of the firearm. If the firearm suffers an abusive event such as previously described, or experiences a malfunction, do not attempt to use the firearm. Keep the firearm pointed in a safe direction, unload and clear the firearm of all ammunition immediately, and have it inspected by a certified SIG SAUER armorer before using the firearm.

ALWAYS keep the firearm pointed in a safe direction. A safe direction is defined as an area where, if the firearm were to discharge, no property damage would occur, and no personal injury would result.

As previously noted, if the SIG SAUER firearm suffers an abusive event, unload it immediately and have it inspected by a certified SIG SAUER Armorer prior to using the firearm. If the firearm suffers an abusive event during a life-threatening/self-defense situation, follow the steps below immediately:

1. Pulling the slide entirely rearward to eject the chambered cartridge.
2. Releasing the slide to chamber a new cartridge and resetting the trigger mechanism. (Do not ride the slide forward.)
3. The firearm should now be returned to proper operational condition.

Intentional or repetitive abusive handling of any SIG SAUER firearm will void the manufacturer's warranty and could render the firearm unsafe.



WARNINGS

SIG SAUER

3.0 ALTERATIONS AND REPLACEMENT PARTS

Do not attempt to disassemble a SIG SAUER firearm beyond the point explained in the Operator's Manual. Disassembly beyond the instructions in the Operator's Manual is restricted to a certified SIG SAUER Armorer. Failure to comply with these restrictions will void the warranty.

This SIG SAUER firearm was designed to function properly in its original condition. Unauthorized alterations can make it unsafe. Do not alter or substitute any parts or accessories not manufactured or specifically authorized by SIG SAUER for this firearm. Warnings and instructions about the use of SIG SAUER replacement parts, assemblies, and accessories may be described in instructions accompanying the specific products. Read and carefully follow those instructions. Failure to comply may result in serious injury or death to the operator and/or others. The use of aftermarket replacement parts is unauthorized and, in some instances, could alter the function of the firearm.



WARNINGS

3.1 ACCESSORIES

It is the responsibility of the operator to ensure all accessories are compatible with the firearm and do not interfere with the safe operation and handling of the firearm.

3.1.1 HOLSTERS

A properly designed holster protects the trigger from being contacted inadvertently when the firearm is holstered.

- Make sure the holster is designed to accept the specific accessories installed on the firearm. Holsters for firearms equipped with a tactical light may have large openings to accommodate the bezel of the light, rendering the trigger area of the holstered firearm accessible to foreign objects or fingers if a light is not installed or if the holster is not sized specifically for use with the light that is installed on the firearm.
- Ensure the holster will protect the pistol while seated in a vehicle from surrounding features or devices in the vehicle that could interfere with the safe carry of the pistol. For example, entering and exiting the vehicle without the seat belts becoming snagged on the firearm or the holster.

Read and follow all warnings and instructions that are provided by the holster manufacturer before using. Failure to follow the instructions may result in serious injury or death to the operator and/or others.



WARNINGS

SIG SAUER

3.2 TRANSPORTING

When transporting a firearm, be sure the firearm is unloaded and cleared of all ammunition. It is the responsibility of the operator to know the laws of different states and jurisdictions when traveling with a firearm.

3.3 STORAGE

Safe and secure storage is an important responsibility. The only safe way to store a firearm is unloaded, cleared of all ammunition, and locked in a secure place inaccessible to children or unauthorized persons.

3.4 CHAMBER SAFETY FLAG

Every SIG SAUER firearm is shipped with a chamber safety flag. When installed, the chamber safety flag prevents the chambering of a round and provides a readily visible indication that the firearm's chamber is empty. The chamber safety flag is to be placed in the firearm's chamber at all times when the firearm is not in use. Many public ranges require chamber safety flags be installed when the firing line is cold.



WARNINGS

3.5 LIABILITY

PISTOLS and RIFLES are classified as FIREARMS and are sold by SIG SAUER with the specific understanding that SIG SAUER shall not be responsible in any manner whatsoever for malfunctioning of the firearm, physical injury, or property damage resulting in whole or in part from:

- Criminal or negligent discharge
- Improper, careless, or abusive handling
- Unauthorized modifications or parts replacement
- Defective, improper, hand-loaded, or reloaded ammunition
- Corrosion
- Neglect
- Other influences beyond our direct and immediate control

This limitation applies regardless of whether liability is asserted on the basis of contract, negligence, or strict liability (including any failure to warn). Under no circumstance shall SIG SAUER, Inc., be liable for incidental or consequential damages such as loss of use of property, commercial loss, and loss of earnings or profits.



WARNINGS

SIG SAUER

4.0 EYE AND EAR PROTECTION



Always wear safety glasses that meet the requirements of American National Standards Institute (ANSI) z87.1 or European Standard (EN)166:2001 and ear plugs and “ earmuff” type protectors whenever shooting. Always make certain that persons close are similarly protected. Unprotected eyes may be injured by powder, gas, carbon residue, lubricant, metallic particles, or similar debris that may emanate occasionally from any firearm in normal use. Without ear protection, repeated exposure to shooting noise may lead to cumulative, permanent hearing loss.

5.0 AMMUNITION

Use only high-quality, original, factory-manufactured ammunition. Do not use cartridges that are dirty, wet, corroded, bent, or damaged. A damaged or deformed cartridge may impede chambering or cause the cartridge case to burst upon firing. Do not oil cartridges. Lubricant or other foreign matter on cartridges can potentially cause dangerous ammunition malfunctions. Some highly penetrative lubricants can also migrate inside cartridge cases and cause deterioration of the propellant powder; on firing, the powder might not ignite. If only the primer ignites, there is danger that the bullet may become lodged in the barrel. Only use ammunition of the caliber for which the firearm is chambered.

The proper caliber is permanently engraved on the firearm’s barrel.



WARNINGS

The use of reloaded, hand-loaded (re-manufactured), or other nonstandard ammunition voids all warranties. Reloading is a science, and improperly loaded ammunition can cause severe damage to the firearm and may result in serious injury or death to the operator and/or others.

Always use ammunition that complies with the industry performance standards established by the Sporting Arms and Ammunition Manufacturers' Institute, Inc. (SAAMI) or ammunition manufactured to U.S. military specifications.

SIG SAUER, Inc., specifically disclaims responsibility for any damage or injury whatsoever occurring in connection with, or as a result of, the use of any SIG SAUER firearm of faulty, nonstandard, hand-loaded (reloaded) ammunition, or cartridges other than those for which the firearm was originally chambered. Excessive pressure inside the chamber or barrel while firing a firearm may cause severe damage and serious injury or death to the shooter or to others may occur.



WARNING: CANCER AND REPRODUCTIVE HARM—www.P65warnings.ca.gov



DISCHARGING FIREARMS IN POORLY VENTILATED AREAS, CLEANING FIREARMS, OR HANDLING AMMUNITION MAY RESULT IN EXPOSURE TO LEAD AND OTHER SUBSTANCES KNOWN TO THE STATE OF CALIFORNIA TO CAUSE BIRTH DEFECTS, REPRODUCTIVE HARM, AND OTHER SERIOUS PHYSICAL INJURY. MAINTAIN ADEQUATE VENTILATION AT ALL TIMES. WASH HANDS THOROUGHLY AFTER EXPOSURE. SHOOTING OR CLEANING FIREARMS MAY EXPOSE OPERATORS TO LEAD.



WARNINGS

SIG SAUER

6.0 LOCKING DEVICES



All SIG SAUER firearms are shipped with a key-operated locking device or a lockable case.

Never install the locking device inside the trigger guard or in any way that makes it possible to pull the trigger! Do not leave the keys in the lock.

All firearm owners are responsible for secure storage of any firearm.

ALWAYS refer to the locking device's manufacturer directions for installation and removal of the device.



7.0 SAFETY INFORMATION

Do not practice loading or firing any firearm with live ammunition until the Operator's Manual has been read and understood.

Seek supervised instruction for any additional information.

The SIG SAUER Academy provides all levels of firearms safety and skill training.

For more information contact:



sigsaueracademy.com • (603) 610-3400
Epping, New Hampshire

SAFETY MUST BE THE FIRST AND CONSTANT CONSIDERATION OF EVERY PERSON WHO HANDLES FIREARMS AND AMMUNITION.

For more information about safety, responsible firearms ownership, and shooting sports, contact:
National Rifle Association (NRA) of America
11250 Waples Mill Road, Fairfax, VA 22030-7400 • 1-800-672-3888
nra.com

Contents

1.0 SAFETY WARNINGS	4
2.0 HANDLING	6
2.0.1 SAFETY MECHANISMS	6
2.0.2 BASIC RULES OF SAFE FIREARMS HANDLING	8
2.1 ABUSIVE HANDLING	10
3.0 ALTERATIONS AND REPLACEMENT PARTS	11
3.1 ACCESSORIES	12
3.1.1 HOLSTERS	12
3.2 TRANSPORTING	13
3.3 STORAGE	13
3.4 CHAMBER SAFETY FLAG	13
3.5 LIABILITY	14
4.0 EYE AND EAR PROTECTION	15
5.0 AMMUNITION	15
6.0 LOCKING DEVICES	17
7.0 SAFETY INFORMATION	18
8.0 MECHANICAL CHARACTERISTICS	23
8.1 DESCRIPTION OF FIREARM	23
8.2 MAIN COMPONENTS AND OPERATOR CONTROLS (STANDARD CONTROLS)	24
8.3 MAIN COMPONENTS AND OPERATOR CONTROLS (P365 SAS)	26
8.4 PRINCIPAL SAFETY FEATURES	28
9.0 HANDLING	29
9.1 PREPARATION INSTRUCTIONS	29



9.2	MANUAL SAFETY–EQUIPPED PISTOLS	30
9.3	MAGAZINE DISCONNECT MECHANISM–EQUIPPED PISTOLS.	31
9.4	LOADED CHAMBER INDICATOR (LCI)–EQUIPPED PISTOLS.	32
9.5	UNLOADING AND CLEARING THE PISTOL	33
9.6	LOADING THE MAGAZINE	34
9.7	LOADING THE PISTOL	36
9.8	RELOADING DURING SHOOTING – MAGAZINE DEPLETED	39
9.9	RELOADING DURING SHOOTING – PARTIAL MAGAZINE.	41
9.10	UNLOADING THE PISTOL (MAGAZINE NOT EMPTY).	43
9.11	UNLOADING THE PISTOL (MAGAZINE EMPTY, SLIDE OPEN).	46
10.0	FIRING	48
11.0	USER LEVEL AUTHORIZED MAINTENANCE.	50
11.1	FIELD STRIP THE PISTOL	50
11.2	CLEANING AND LUBRICATION	54
11.3	PISTOL ASSEMBLY	58
11.4	MAGAZINE MAINTENANCE	64
11.4.1	DISASSEMBLY	65
11.4.2	CLEANING.	68
11.4.3	ASSEMBLY	69
11.5	FUNCTION CHECK	72
12.0	PISTOL ADJUSTMENTS	74
12.1	GENERAL INFORMATION	74
12.2	TORQUE SPECIFICATIONS	75
12.3	MAGAZINE CATCH REMOVAL AND INSTALLATION	76
12.3.1	MAGAZINE CATCH REMOVAL	76
12.3.2	MAGAZINE CATCH INSTALLATION.	78

12.4	BACKSTRAP REMOVAL AND INSTALLATION	79
12.4.1	BACKSTRAP REMOVAL	79
12.4.2	BACKSTRAP INSTALLATION	80
12.5	AXG GRIP PANEL REMOVAL AND INSTALLATION	82
12.5.1	GRIP PANEL REMOVAL	82
12.5.2	GRIP PANEL INSTALLATION	83
12.6	FIRE CONTROL UNIT (FCU) REMOVAL AND INSTALLATION	84
12.6.1	FCU REMOVAL	84
12.6.2	FCU INSTALLATION	86
13.0	SIGHTS.	90
13.1	GENERAL INFORMATION	92
13.2	WINDAGE (LEFT/RIGHT) ADJUSTMENTS	92
13.3	ELEVATION (UP/DOWN) ADJUSTMENTS	94
13.4	BULLSEYE® SIGHT (SAS ONLY).	95
13.5	ELECTRO-OPTICS	96
13.6	SIGHT PLATE REMOVAL AND INSTALLATION	97
13.6.1	SIGHT PLATE REMOVAL	97
13.6.2	SIGHT PLATE INSTALLATION.	98
13.7	OPTIC FILLER PLATE REMOVAL AND INSTALLATION	99
13.7.1	OPTIC FILLER PLATE REMOVAL	99
13.7.2	OPTIC FILLER PLATE INSTALLATION	100
13.8	ROMEOZERO RED DOT OPTIC INSTALLATION AND REMOVAL	101
13.8.1	ROMEOZERO REMOVAL	101
13.8.2	ROMEOZERO INSTALLATION	102
14.0	STORAGE AND TRANSPORTATION	104
15.0	TROUBLESHOOTING GUIDE	106



15.1 STOPPAGES 106

15.2 OBSTRUCTED BORE. 107

15.3 COOK-OFF 108

15.4 GENERAL STOPPAGES 109

15.5 MINIMIZING STOPPAGES 110

16.0 REPLACEMENT PARTS POLICY 111

17.0 FACTORY REPAIR OF THE FIREARM 113

 17.1 RETURNING FIREARMS FOR REPAIR 114

18.0 P365 PARTS DIAGRAMS 115

 18.1 P365 STANDARD PARTS DIAGRAM 115

 18.2 P365-XSERIES PARTS DIAGRAM. 116

 18.3 P365XL PARTS DIAGRAM 117

 18.4 P365 SAS PARTS DIAGRAM. 118

 18.5 P365 SPECTRE COMP PARTS DIAGRAM 119

 18.6 P365-XMACRO™ PARTS DIAGRAM. 120

 18.7 P365 CALIFORNIA COMPLIANT PARTS DIAGRAM 121

 18.8 P365 AXG LEGION PARTS DIAGRAM 122

 18.9 OPTIONAL MAGAZINES 123

SIG SAUER INFINITE GUARANTEE™ 125

8.0 MECHANICAL CHARACTERISTICS

8.1 DESCRIPTION OF FIREARM

The SIG SAUER P365 pistol is a modern handgun incorporating the latest technical advances in firearm design for military, law enforcement, and sporting use. The P365 is a striker-fired, mechanically locked, short-recoil-operated pistol with semi-automatic reloading. Firing takes place with each pull of the trigger until the magazine is empty. The slide remains open after the last round has been fired from the magazine.

The P365 is offered in .380 auto and 9mm. The pistol also features an interchangeable grip module and a reversible magazine catch. Certain P365 grip modules also integrate an accessory rail, facilitating the easy attachment of industry standard tactical accessories.

Specification tables for each P365 model, additional information about SIG SAUER products, SIG SAUER Academy and the SIG Experience Center, Special Programs, and additional support can be found by scanning the QR code below to visit sigsauer.com.





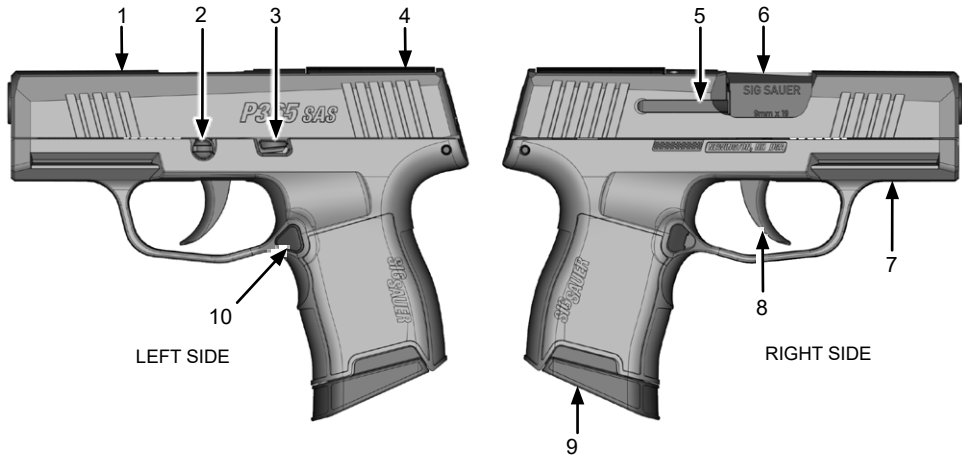
8.2 MAIN COMPONENTS AND OPERATOR CONTROLS (STANDARD CONTROLS)



OPERATOR CONTROLS AND FEATURES		
1	Front Sight	The means of aiming the pistol.
2	Slide	Houses extractor, striker assembly, and sights.
3	Takedown Lever	Allows the slide to be removed from the frame.
4	Slide Catch Lever	Locks slide to rear upon firing of last cartridge. Can be used to manually lock slide to rear for maintenance.
5	Rear Sight	The means of aiming the pistol.
6	Extractor	Pulls spent casings or cartridges out of the chamber of the barrel.
7	Barrel	Houses cartridge for firing and directs projectile.
8	Grip Module	Supports frame assembly and magazine.
9	Trigger	When pressed, actuates the internal components to fire the pistol.
10	Magazine	Holds and positions cartridges in place for feeding.
11	Magazine Catch	Locks magazine into grip module. Releases magazine when pressed. Reversible.



8.3 MAIN COMPONENTS AND OPERATOR CONTROLS (P365 SAS)



OPERATOR CONTROLS AND FEATURES		
1	Slide	Houses extractor, striker assembly, and sights.
2	Takedown Lever (Flat)	Allows the slide to be removed from the frame.
3	Slide Catch Lever (Flat)	Locks slide to rear upon firing of last cartridge. Can be used to manually lock slide to rear for maintenance.
4	Sight	The means of aiming the pistol.
5	Extractor	Pulls spent casings or cartridges out of chamber.
6	Barrel	Houses cartridge for firing and directs projectile.
7	Grip Module	Supports frame assembly and magazine
8	Trigger	When pressed, actuates the internal components to fire the pistol.
9	Magazine	Holds and positions cartridges in place for feeding.
10	Magazine Catch	Locks magazine into grip module. Releases magazine when pressed. Reversible.



8.4 PRINCIPAL SAFETY FEATURES

This pistol contains the following safety features:

- The striker safety lock and disconnect safety prevent the firearm from firing unless the trigger is pulled, ensuring safe carrying of the firearm and providing instant readiness without actuating a manual safety.
- All P365 models, except P365 SAS, are offered with optional ambidextrous manual safeties, which prevent the trigger from being pulled when engaged.
- Certain models are equipped with a magazine disconnect mechanism, which prevents the trigger from being pulled unless a magazine is inserted.

9.0 HANDLING

9.1 PREPARATION INSTRUCTIONS



WARNING



BEFORE LOADING, ALWAYS CLEAN ALL GREASE AND OIL FROM THE BORE AND CHAMBER AND VERIFY THAT NO OBSTRUCTION IS IN THE BARREL. ANY FOREIGN MATTER IN THE BARREL COULD RESULT IN A BULGED OR BURST BARREL OR OTHER DAMAGE TO THE FIREARM AND COULD CAUSE SERIOUS INJURY TO THE SHOOTER OR TO OTHERS.

Prior to using the firearm, read, understand, and follow all the safety warnings in the Safety Warnings Manual included with the firearm.

- Perform an initial field strip (*11.1 Field Strip the Pistol on page 50*).
- Clean any fouling that might have occurred during factory testing (*11.2 Cleaning and Lubrication on page 54*).
- Inspect, lubricate, and reassemble the firearm (*11.3 Pistol Assembly on page 58*).
- Upon reassembly and prior to firing the firearm, conduct a function check (*11.5 Function check on page 72*). If the firearm does not complete the function check as described, contact customer service (*16.0 Replacement Parts Policy on page 111*).

Any maintenance beyond the user level described in this manual is to be performed by a certified SIG SAUER Armorer specifically trained on the maintenance of the P365.



9.2 MANUAL SAFETY-EQUIPPED PISTOLS

The SIG P365 and P365-XSERIES pistols are offered with an optional ambidextrous manual safety. The manual safety mechanically blocks the sear assembly, preventing release of the striker.

To engage the manual safety, rotate the manual safety lever upward. The manual safety is ambidextrous. Pressing up on the lever from either side will rotate the opposite lever upward, engaging the manual safety. The slide can be manipulated with the manual safety engaged.



ENGAGE MANUAL SAFETY

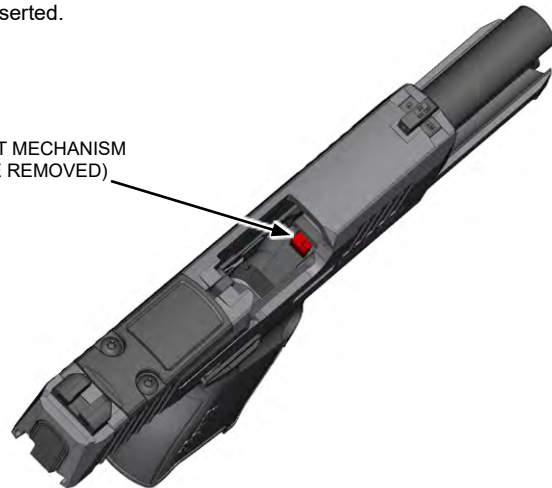


DISENGAGE MANUAL SAFETY

9.3 MAGAZINE DISCONNECT MECHANISM-EQUIPPED PISTOLS

Some models of the SIG P365 are offered with a magazine disconnect mechanism which mechanically blocks the movement of the trigger, preventing the trigger from being pulled to the rear unless a magazine is inserted.

MAGAZINE DISCONNECT MECHANISM
ENGAGED (MAGAZINE REMOVED)





9.4 LOADED CHAMBER INDICATOR (LCI)–EQUIPPED PISTOLS

The SIG P365 is offered with an optional loaded chamber indicator (LCI) and provides a tactile indication that there is a live round in the chamber. In limited visibility situations, the non-firing hand can be used to determine if the LCI is in the elevated position.



ROUND IN CHAMBER



EMPTY CHAMBER

9.5 UNLOADING AND CLEARING THE PISTOL



WARNING UNLOAD/CLEAR



FAILURE TO ENSURE THE FIREARM IS UNLOADED AND CLEARED COULD RESULT IN UNINTENTIONAL DISCHARGE, CAUSING SERIOUS INJURY, DEATH, OR PROPERTY DAMAGE.

REMOVING THE MAGAZINE FROM THE FIREARM DOES NOT PREVENT A CHAMBERED ROUND FROM BEING FIRED UNLESS THE FIREARM IS EQUIPPED WITH A MAGAZINE DISCONNECT MECHANISM.

When the chamber has a live cartridge in it, it will discharge if the safety is disengaged and the trigger is pulled. Always completely unload and clear the pistol when it is not in use.

1. Engage the manual safety.
2. Point the muzzle in a safe direction.
3. Release the magazine.
4. Lock the slide rearward to open the chamber.
5. Visually verify that chamber and barrel are clear of any cartridges.
6. Check the firearm twice, both visually and physically.



9.6 LOADING THE MAGAZINE

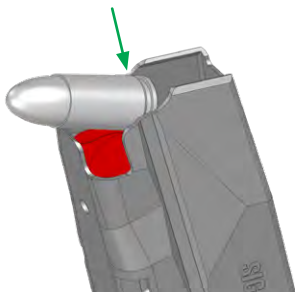
CAUTION

DO NOT ATTEMPT TO INSERT MORE CARTRIDGES THAN THE MAGAZINE'S DESIGNED CAPACITY.

NOTE

Ensure that the magazine is the proper type and caliber for the pistol.

1. Press down on the magazine follower with the rim of the cartridge case. Ensure that the projectile is facing the front of the magazine.

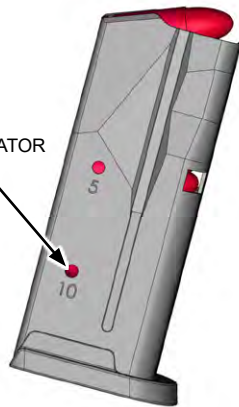


2. Push the cartridge to the rear and under the magazine lips.
3. Repeat until the magazine holds the desired number of cartridges or is full. Do not attempt to insert more cartridges than the magazine's designed capacity.

MAGAZINE LIPS



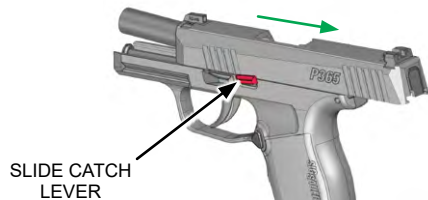
CAPACITY INDICATOR WINDOW



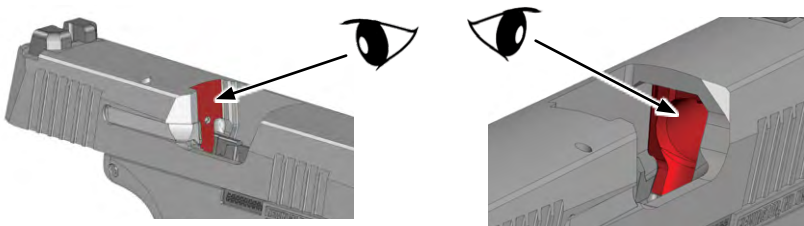


9.7 LOADING THE PISTOL

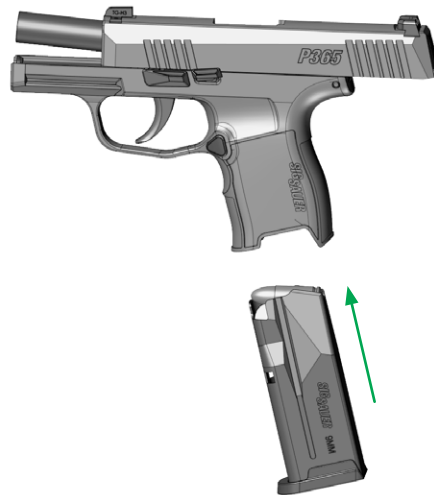
1. Point the pistol in a safe direction and, if equipped, engage the manual safety.
2. Fully retract slide and lock it to the rear by pushing up on the slide catch lever.



3. Visually and physically inspect the chamber, breech face, and magazine well to ensure that it is clear of ammunition.



4. Insert a loaded magazine, pushing it up into the grip module until it locks in place. There should be an audible click.





5. Chamber a cartridge by releasing the slide, either by:
- Pressing down on the slide catch lever.
 - Pulling back on the slide then releasing. Do not ride the slide forward. Failure to properly complete this step may induce a stoppage.

**WARNING****LOADED PISTOL****THE PISTOL IS NOW LOADED AND READY TO FIRE.**

9.8 RELOADING DURING SHOOTING – MAGAZINE DEPLETED

NOTE

When the last round in the magazine is expended, the slide will be locked to the rear by the slide catch lever.

- Point the muzzle in a safe direction and, if equipped, engage the manual safety.
- Press the magazine catch to release the empty magazine.

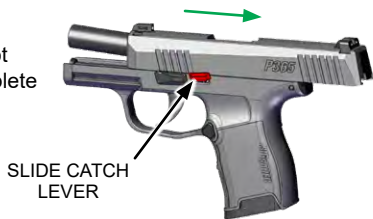




3. Insert a loaded magazine, pushing it up into the magazine well until it locks in place. There should be an audible click.



4. Chamber a cartridge by releasing the slide, either by:
 - a. Pressing down on the slide catch lever.
 - b. Pulling back on the slide then releasing. Do not ride the slide forward. Failure to properly complete this step may induce a stoppage.

**WARNING****LOADED PISTOL****THE PISTOL IS NOW LOADED AND READY TO FIRE.**

9.9 RELOADING DURING SHOOTING – PARTIAL MAGAZINE

NOTE

A magazine does not need to be empty to be removed.

1. Keep the muzzle pointed in a safe direction and, if equipped, engage the manual safety.
2. Press the magazine catch to remove the loaded magazine.

**WARNING****LOADED PISTOL****THE PISTOL STILL HAS A LIVE CARTRIDGE CHAMBERED AND CAN BE FIRED IF THE MANUAL SAFETY IS DISENGAGED AND THE TRIGGER IS PULLED.**



3. Insert a loaded magazine by pushing it up and into the magazine well until it locks in place. There should be an audible click.

**WARNING****LOADED PISTOL****THE PISTOL IS NOW LOADED AND READY TO FIRE.**

9.10 UNLOADING THE PISTOL (MAGAZINE NOT EMPTY)

1. Keep the muzzle pointed in a safe direction and, if equipped, engage the manual safety.
2. Press the magazine catch and remove magazine.

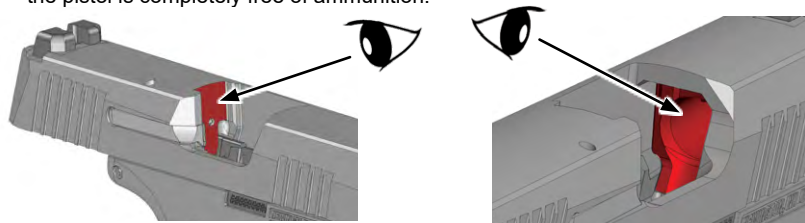




3. Pull the slide completely to the rear while watching for the ejection of a live cartridge. Push up on the slide catch lever to lock the slide open.



4. Visually and physically check the chamber, breech face, and magazine well to ensure that the pistol is completely free of ammunition.



5. Press the slide catch lever to close the slide.



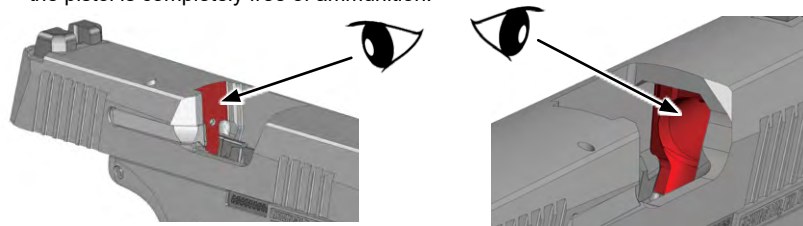


9.11 UNLOADING THE PISTOL (MAGAZINE EMPTY, SLIDE OPEN)

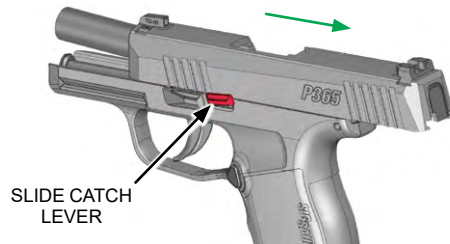
1. Keep the muzzle pointed in a safe direction and, if equipped, engage the manual safety.
2. Press the magazine catch and remove the magazine.



3. Visually and physically check the chamber, breech face, and magazine well to ensure that the pistol is completely free of ammunition.



4. Press the slide catch lever to close the slide.



**10.0 FIRING****WARNING LOADED PISTOL**

KEEP FINGERS OUT OF TRIGGER GUARD AND OFF THE TRIGGER UNTIL READY TO FIRE. ALWAYS ENSURE FIREARM IS POINTED IN A SAFE DIRECTION. FAILURE TO COMPLY MAY RESULT IN SERIOUS INJURY OR DEATH.

**WARNING BARREL**

BEFORE LOADING, ALWAYS CLEAN ALL GREASE AND OIL FROM THE BORE AND CHAMBER AND VERIFY THAT NO OBSTRUCTION IS IN THE BARREL. ANY FOREIGN MATTER IN THE BARREL COULD RESULT IN A BULGED OR BURST BARREL OR OTHER DAMAGE TO THE FIREARM AND COULD CAUSE SERIOUS INJURY.

**WARNING SAFETY**

THE PISTOL SLIDE OPENS AND SHUTS QUICKLY WHILE FIRING. KEEP FACE AND HANDS AWAY FROM IT. HOT BRASS AND POWDER GAS IS EJECTED QUICKLY AND CAN BURN THE USER OR OTHERS NEARBY. ALWAYS WEAR SAFETY GLASSES AND HEARING PROTECTION TO PREVENT INJURY. NEVER ALLOW OTHERS TO STAND WHERE THEY MAY BE STRUCK BY AN EJECTED CARTRIDGE CASE.

1. Aim the pistol at a safe target.
2. If equipped, disengage the manual safety.
3. Pull the trigger to fire.
4. Keep pistol aimed at target at all times.
5. Engage the manual safety if so equipped.
6. Unload and clear the pistol as described in *9.5 Unloading and Clearing the Pistol* on page 33.





11.0 USER LEVEL AUTHORIZED MAINTENANCE



WARNING UNLOAD/CLEAR



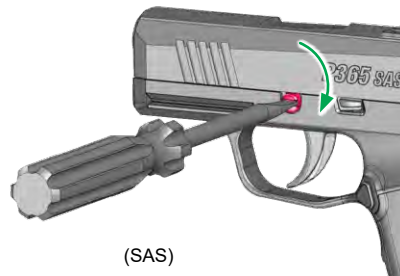
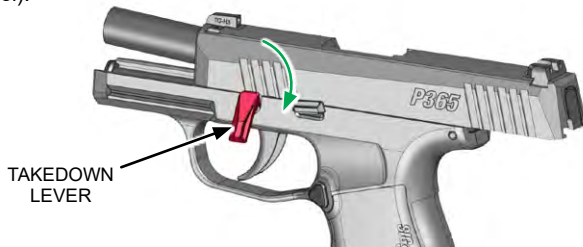
VERIFY THAT THE MAGAZINE IS REMOVED, VISUALLY AND PHYSICALLY CONFIRM THAT THE PISTOL IS UNLOADED AND CLEARED BEFORE ATTEMPTING DISASSEMBLY OR PERFORMING ANY MAINTENANCE STEPS. FAILURE TO ENSURE THAT THE FIREARM IS UNLOADED AND CLEARED COULD RESULT IN UNINTENTIONAL DISCHARGE, CAUSING SEVERE INJURY, DEATH, OR PROPERTY DAMAGE.

11.1 FIELD STRIP THE PISTOL

1. Unload and clear the pistol. See 9.5 *Unloading and Clearing the Pistol* on page 33.
2. Lock the slide to the rear by pulling the slide rearward and pushing up on the slide catch lever.



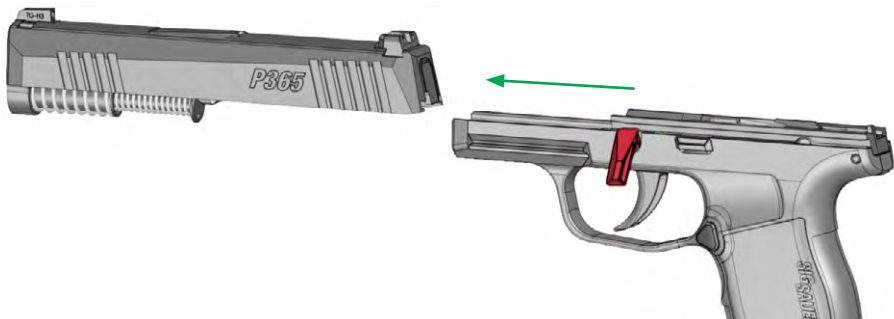
3. Rotate the takedown lever clockwise until it stops (P365 SAS requires a screwdriver or similar tool).



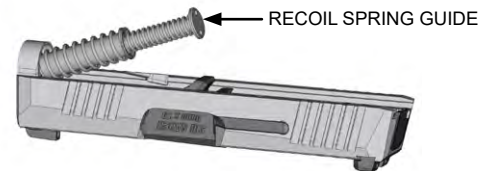
**WARNING PARTS UNDER SPRING TENSION**

FIREARMS CONTAIN SEVERAL SPRING-LOADED PARTS. WEAR EYE PROTECTION AND MAINTAIN CONTROL DURING MAINTENANCE. FAILURE TO COMPLY MAY RESULT IN INJURY.

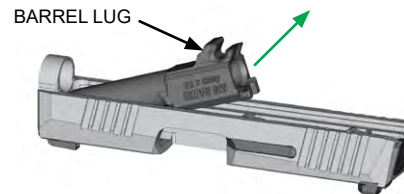
4. Pull the slide slightly rearward to disengage the slide catch lever while maintaining control of the slide assembly.
5. Pull the slide forward and off of the frame.



6. Push the recoil spring and spring guide forward, then lift up and away from the slide to remove.



7. Slide the barrel forward and lift the barrel from the slide.

**NOTE**

This level of disassembly is sufficient to allow a thorough cleaning.



11.2 CLEANING AND LUBRICATION



WARNING CLEANING



READ AND FOLLOW THE MANUFACTURER'S WARNINGS BEFORE USING SOLVENTS OR CLEANERS. USE IN A WELL-VENTILATED AREA. WEAR EYE PROTECTION.

CAUTION

NEVER CLEAN THE BARREL FROM THE MUZZLE END. DO NOT USE A STEEL WIRE BRUSH AS IT CAN DAMAGE THE SMOOTH SURFACE OF THE BARREL. USE A SUITABLE CLEANING ROD AND BRONZE BRUSH OF THE CORRECT CALIBER. SOLVENTS CAN BE HARMFUL TO THE SURFACE FINISH OF THE PISTOL. AVOID OVER-LUBRICATION OF COMPONENTS.

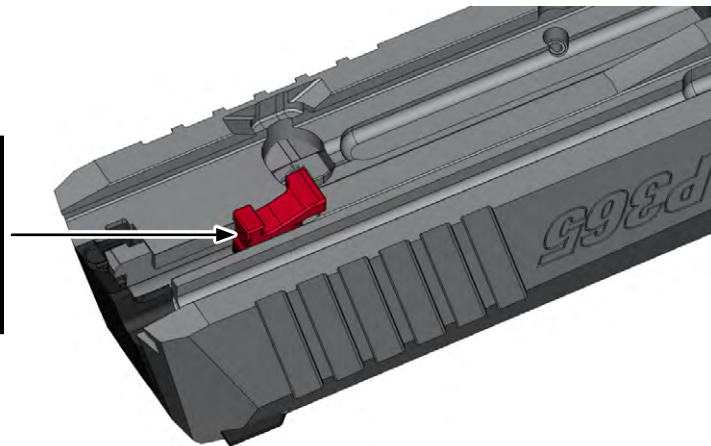
MATERIALS REQUIRED

- Cleaning patches
- Clean cloth
- Proper caliber bore brush
- Cleaning rod
- CLP (Cleaning, Lubricant, Preservative)
- Lubricant, low temperature when applicable
- Cleaning brush

The following instructions are for normal environmental conditions. Clean and lube at a minimum of every 500 cartridges.

NOTE

Do not lubricate the striker or allow lubricant to flow into the striker channel of the slide. This may cause a light strike to the cartridge, resulting in a failure to fire.



**SLIDE ASSEMBLY**

1. Remove all of the old lubricant before reapplying.
2. Clean the slide assembly with a cloth. Use a soft brush and CLP to clean excessive dirt and carbon buildup. Ensure that the extractor, rail slots, and breech face are free of dirt and residue.
3. If the slide has an integrated compensator, use a nylon brush to remove all residue buildup from the compensator and the front of the slide.
4. Apply a light coat of CLP to the frame rail slots of the slide.
5. Lightly lubricate all external parts.
6. Do not lubricate the striker assembly or allow lubricant to flow into the striker channel.

FRAME/GRIP MODULE ASSEMBLY

1. Using a soft cloth, wipe the frame and grip module assembly.
2. Use cotton swabs to clean hard to reach areas. Pay special attention to the frame rails.
3. Lubricate the frame rails with a light coat of CLP.
4. Apply CLP to accessible functioning parts.
5. Using a soft cloth, clean the magazine well of any dirt, dust, or residue.

BARREL

1. Soak a patch with CLP and push through the bore from the chamber end and out past the muzzle.
2. Allow the CLP to soak for several minutes to loosen residue and soften carbon deposits.
3. Wipe the exterior of the barrel with a cloth soaked in CLP.
4. Repeat step 1.
5. Use the bore brush and a cleaning rod to scrub heavy deposits from the bore.
6. Repeat step 1.
7. Push dry patches through the bore until they come out clean.
8. Clean all residue from the feed ramp with a soft brush and CLP.
9. If the pistol is to be stored for a period of time, lightly lubricate the bore and chamber.
10. Always remove any lubricant from the bore and chamber prior to firing the pistol.

RECOIL SPRING GUIDE ASSEMBLY

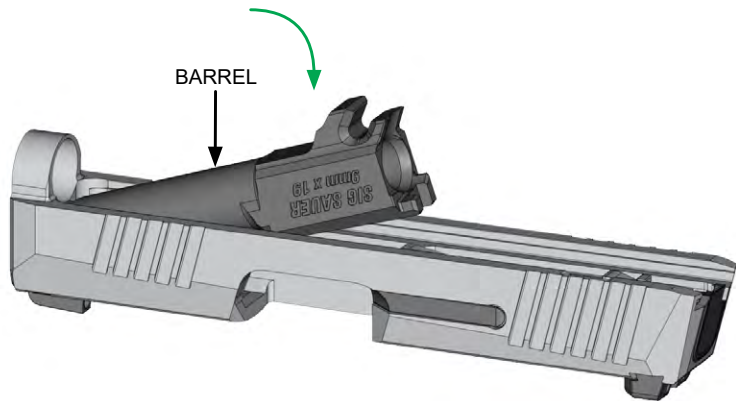
Do not disassemble the P365 recoil spring guide assembly. It is serviced as a single unit and should be replaced at 2,500 round intervals.

1. Clean the recoil spring guide assembly with CLP and a soft brush.
2. After cleaning, apply a light coat of CLP.



11.3 PISTOL ASSEMBLY

1. Verify that the barrel is clear of all foreign matter.
2. Turn the slide upside down and insert the barrel into the slide.

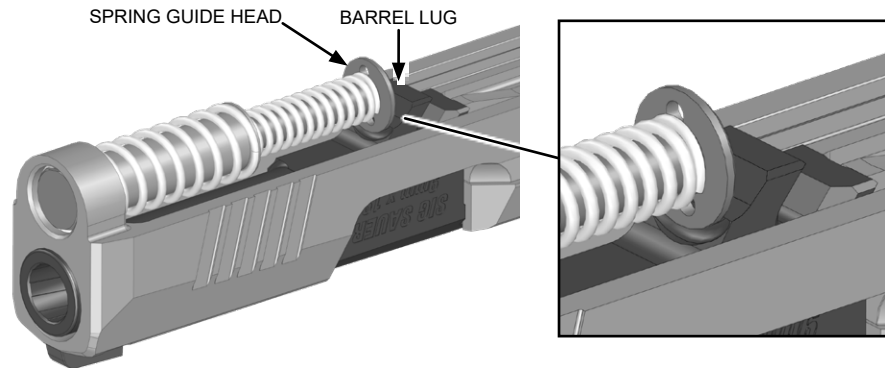


WARNING PARTS UNDER SPRING TENSION



FIREARMS CONTAIN SEVERAL SPRING-LOADED PARTS. WEAR EYE PROTECTION AND MAINTAIN CONTROL DURING MAINTENANCE. FAILURE TO COMPLY MAY RESULT IN INJURY.

3. Insert the larger outer spring of the recoil spring guide assembly into the front of the slide. Seat the spring guide head centered on the barrel lug.

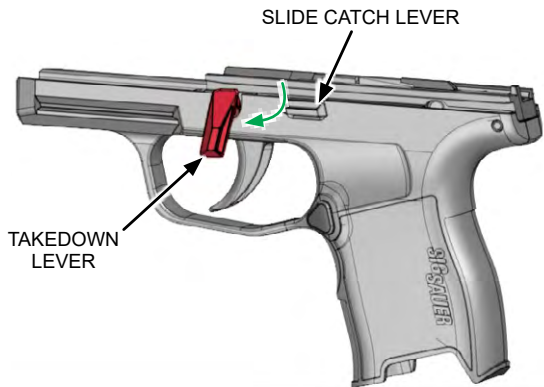




NOTE

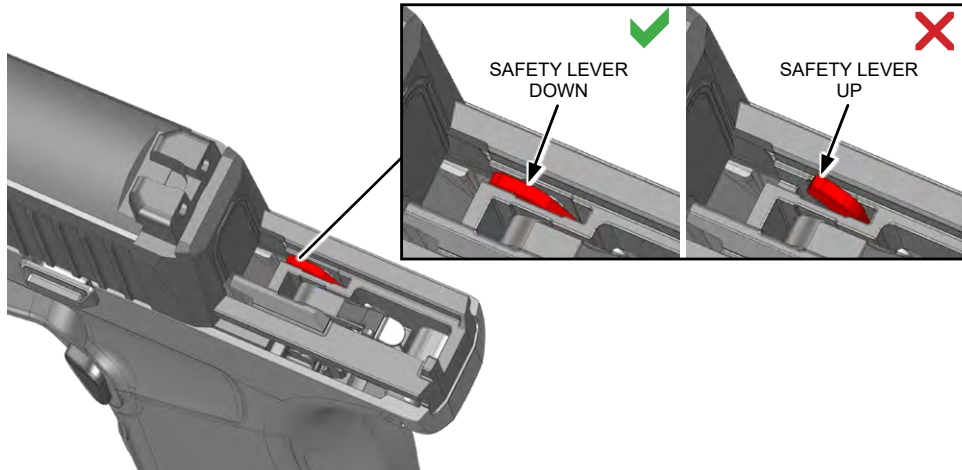
Before attempting step 4, the slide catch lever may need to be raised initially to allow the takedown lever to rotate.

4. Ensure the takedown lever is rotated clockwise until it stops.



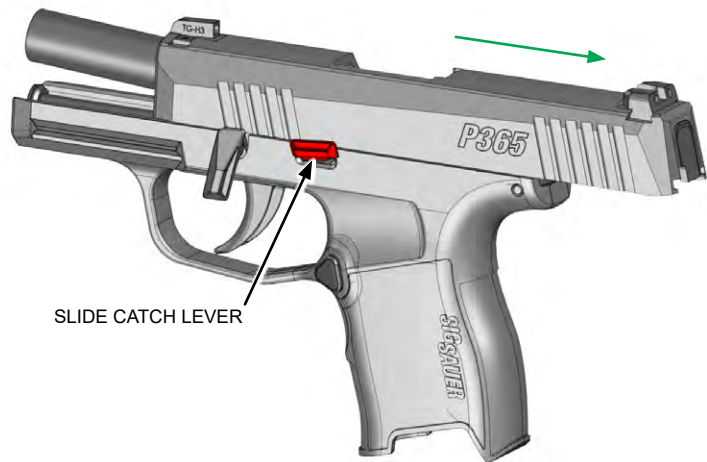
CAUTION

ENSURE THAT THE SAFETY LEVER IS PUSHED DOWN PRIOR TO INSTALLING THE SLIDE ONTO THE FRAME. FAILURE TO COMPLY MAY RESULT IN DAMAGE TO THE FIREARM.

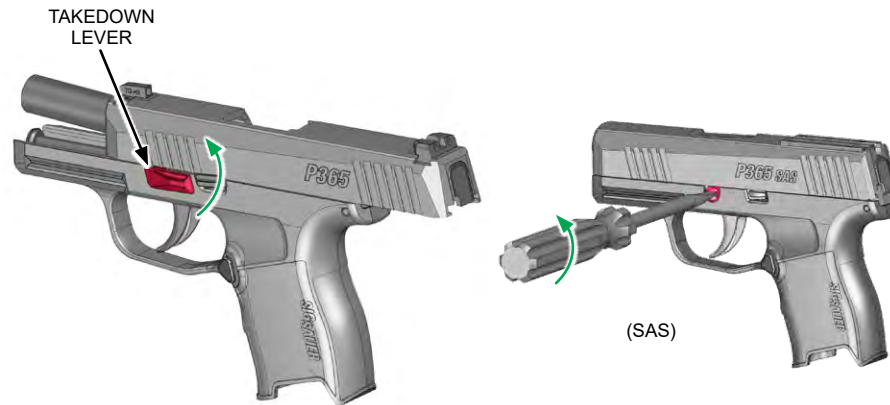




5. Push the slide onto the frame rails until it stops at the fully retracted position.
6. With the slide fully retracted, lock the slide in place by pushing up on the slide catch lever.



7. Rotate the takedown lever counterclockwise until it stops (P365 SAS requires screwdriver or similar tool).



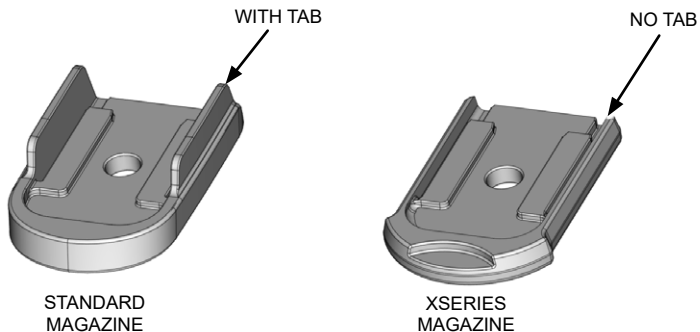
8. Press down on the slide catch lever to release the slide forward.



11.4 MAGAZINE MAINTENANCE

NOTE

Magazines for XSERIES models must have floor plates without tabs. Magazines for standard P365 and SAS models have tabs on top of the floorplate. XSERIES floor plates will function in all P365 models. Standard floor plates will not lock in XSERIES grip assemblies.



11.4.1 DISASSEMBLY

10-Round, 12-Round, 15-Round, 17-Round, 21-Round, and 25-Round Magazines

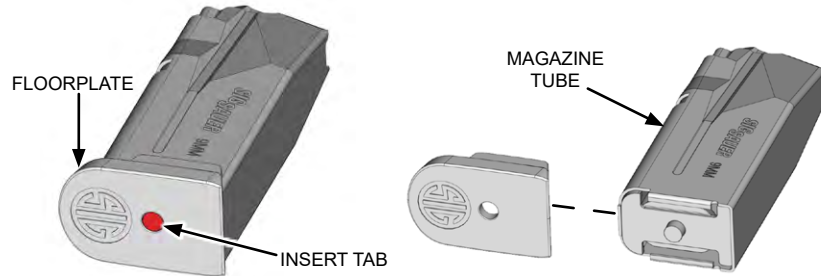


WARNING PARTS UNDER SPRING TENSION



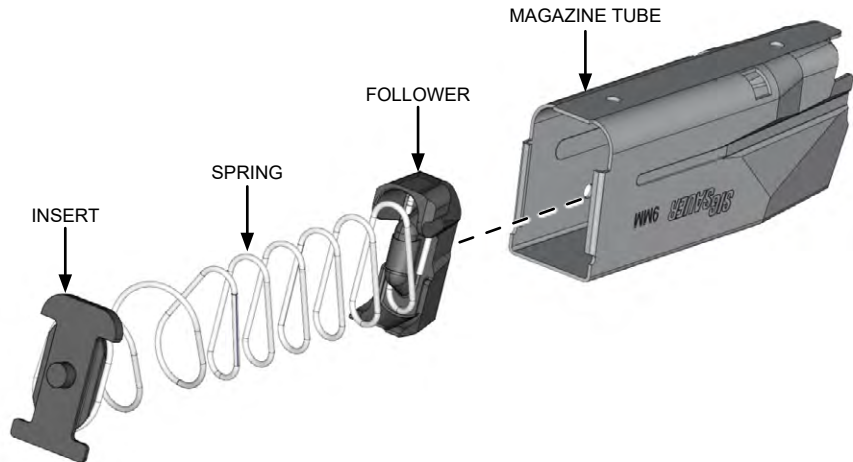
FIREARMS CONTAIN SEVERAL SPRING-LOADED PARTS. WEAR EYE PROTECTION AND MAINTAIN CONTROL DURING MAINTENANCE. FAILURE TO COMPLY MAY RESULT IN INJURY.

1. Using a punch or similar tool, push the tab of the magazine insert inward to release and remove the floorplate. Maintain control of the spring-loaded insert.



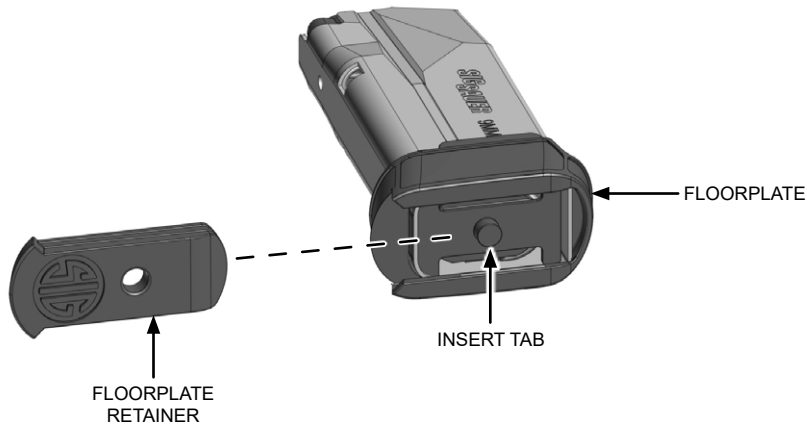


2. Remove the insert, magazine spring, and follower from the magazine tube.



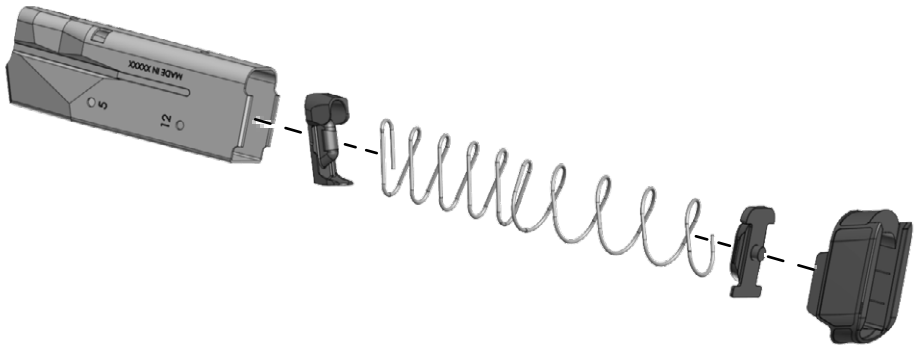
12-Round Extended Magazine

1. Using a punch or similar tool, press in on the tab of the insert until it is free from the floorplate retainer.
2. Slide the floorplate retainer from the floorplate. Maintain control of the floorplate.





3. Remove the floorplate, insert, magazine spring, and follower from the magazine tube.



11.4.2 CLEANING

1. Wipe the magazine tube and follower with a cloth. Clean the magazine tube and follower with a soft brush and CLP.
2. Use a cloth to clean the magazine spring, floorplate, and base plate.
3. Apply a light coat of CLP to the spring and outside of magazine tube.

11.4.3 ASSEMBLY



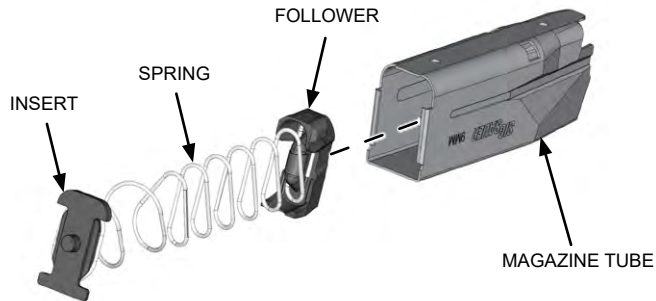
WARNING PARTS UNDER SPRING TENSION



FIREARMS CONTAIN SEVERAL SPRING-LOADED PARTS. WEAR EYE PROTECTION AND MAINTAIN CONTROL DURING MAINTENANCE. FAILURE TO COMPLY MAY RESULT IN INJURY.

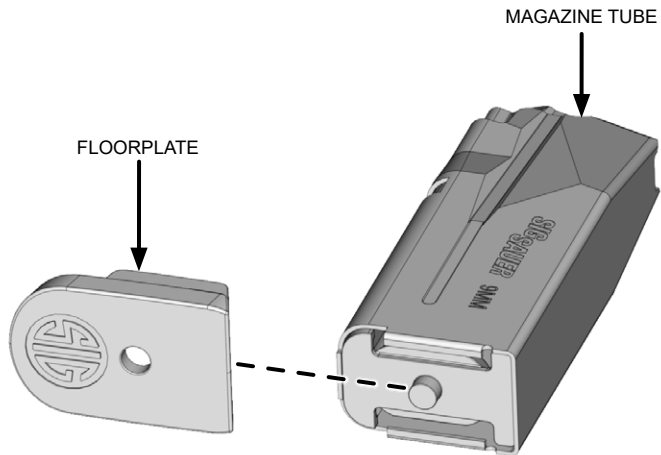
10-Round, 12-Round, 15-Round, 17-Round, 21-Round, and 25-Round Magazines

1. Assemble the follower and insert onto the magazine spring.
2. Insert the follower into the magazine tube and compress the spring.



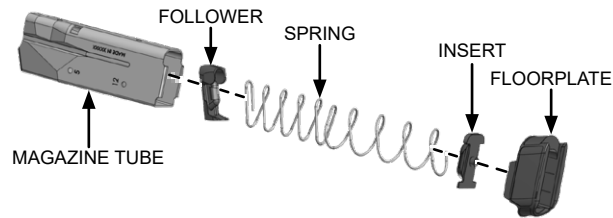


3. Press the insert and slide the floorplate onto the magazine tube until the insert snaps into the floorplate.

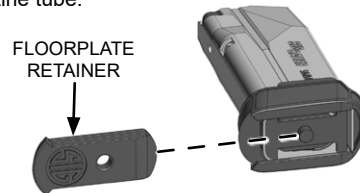


12-Round Extended Magazine

1. Assemble the follower and insert onto the magazine spring.
2. Insert the follower into the magazine tube and compress the spring.
3. Push the floorplate onto the magazine tube.



4. Slide the floorplate retainer into the floorplate until the insert snaps into place, securing the floorplate to the magazine tube.





11.5 FUNCTION CHECK

The function check is to be performed after the completion of maintenance and after each cleaning and assembly of the pistol.



WARNING UNLOAD/CLEAR



FAILURE TO ENSURE THE FIREARM IS UNLOADED AND CLEARED COULD RESULT IN UNINTENTIONAL DISCHARGE, CAUSING SERIOUS INJURY, DEATH, OR PROPERTY DAMAGE.

REMOVING THE MAGAZINE FROM THE FIREARM DOES NOT PREVENT A CHAMBERED ROUND FROM BEING FIRED UNLESS THE FIREARM IS EQUIPPED WITH A MAGAZINE DISCONNECT MECHANISM.

1. Ensure that the magazine is removed and the pistol is unloaded and cleared. See 9.5 *Unloading and Clearing the Pistol on page 33*.
2. Insert an empty magazine into magazine well. There should be an audible click and the magazine catch should hold the magazine in place.
3. Pull the slide completely to the rear. The follower of the magazine should push the slide catch lever up, locking the slide to the rear.
4. Press the magazine catch. The magazine must fall free of the pistol under its own weight. Press the slide catch lever to release the slide to its forward position.

IF THE PISTOL IS NOT EQUIPPED WITH A MAGAZINE DISCONNECT MECHANISM, SKIP TO STEP 8.

5. With pistol pointed in a safe direction, pull the trigger. The striker should NOT be released. Release the trigger.
6. Insert an empty magazine. Pull the trigger. The striker should release and there should be an audible click.
7. Pull the slide completely to the rear. Press the slide catch lever to release the slide.

IF YOUR PISTOL IS NOT EQUIPPED WITH A MANUAL SAFETY, SKIP TO STEP 11.

8. Engage the manual safety.
9. With the pistol pointed in a safe direction, pull and hold the trigger to the rear. The striker should NOT be released. Release the trigger.
10. Disengage the manual safety.
11. Pull the trigger to rear and HOLD. The striker should release and there should be a loud click.
12. With the trigger still pulled to rear, pull the slide completely to the rear and release.
13. Release the trigger. There should be a light audible click as the striker resets.
14. Pull the trigger. The striker should release and there should be an audible click.

CAUTION

NEVER USE A FIREARM OR MAGAZINE THAT SHOWS SIGNS OF DAMAGE OR FAILS A FUNCTION CHECK. VERIFY THE MAGAZINE IS THE CORRECT MODEL AND CALIBER FOR THE PISTOL. IF THE CONDITION OR FUNCTION OF THE PISTOL OR MAGAZINE IS SUSPECT, RETURN THE PISTOL OR MAGAZINE TO SIG SAUER FOR EVALUATION.



12.0 PISTOL ADJUSTMENTS

12.1 GENERAL INFORMATION

The P365 pistol is designed for both right and left handed operation and for a variety of hand sizes. The magazine catch may be repositioned to either side based on shooter preference. The grip module may be replaced by the shooter, providing a range of ergonomically correct grip configurations.



WARNING UNLOAD/CLEAR



FAILURE TO ENSURE THE FIREARM IS UNLOADED AND CLEARED COULD RESULT IN UNINTENTIONAL DISCHARGE, CAUSING SERIOUS INJURY, DEATH, OR PROPERTY DAMAGE.

REMOVING THE MAGAZINE FROM THE FIREARM DOES NOT PREVENT A CHAMBERED ROUND FROM BEING FIRED UNLESS THE FIREARM IS EQUIPPED WITH A MAGAZINE DISCONNECT MECHANISM.

12.2 TORQUE SPECIFICATIONS

NOTE

Torque values will be listed as in-lbf for inch pounds of force and ft-lbf for foot pounds of force. If there is no Nylok® patch present on the fastener, use specified Loctite®.

Fasteners with Nylok patch are reusable. Do not remove Nylok patch if present. Fasteners with Loctite must have old Loctite removed and threads cleaned and degreased prior to applying new Loctite.

NOMENCLATURE	PAGE	QTY	in-lbf	nm	THREAD LOCKER REQUIRED OR EQUIVALENT
Sight Plate Screws	98	2	8	1.02	LOCTITE 243
Optic Filler Plate Screws	100	2	8	1.02	LOCTITE 243
ROMEOZero Mounting Screws	103	2	9	1.02	LOCTITE 243
AXG Grip Panel Screws	83	2	12	1.35	LOCTITE 243
AXG Magazine Funnel Screw	83	1	12	1.35	LOCTITE 243



12.3 MAGAZINE CATCH REMOVAL AND INSTALLATION

12.3.1 MAGAZINE CATCH REMOVAL



WARNING UNLOAD/CLEAR

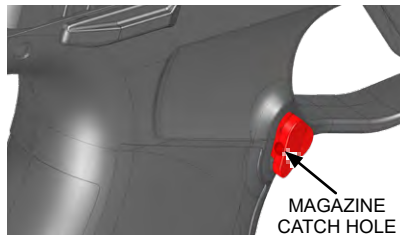


VERIFY THAT THE MAGAZINE IS REMOVED. VISUALLY AND PHYSICALLY CONFIRM THAT THE PISTOL IS UNLOADED AND CLEARED BEFORE ATTEMPTING DISASSEMBLY OR PERFORMING ANY MAINTENANCE STEPS. FAILURE TO ENSURE THAT THE FIREARM IS UNLOADED AND CLEARED COULD RESULT IN UNINTENTIONAL DISCHARGE, CAUSING SERIOUS INJURY, DEATH, OR PROPERTY DAMAGE.

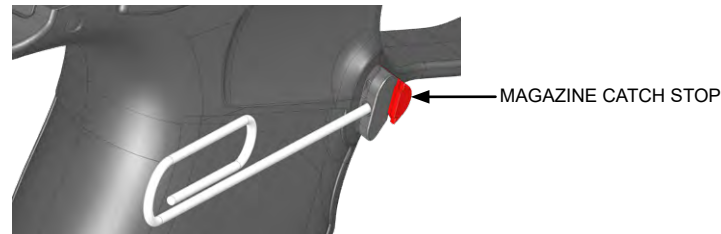
NOTE

This procedure can be performed with or without the slide removed from the pistol.

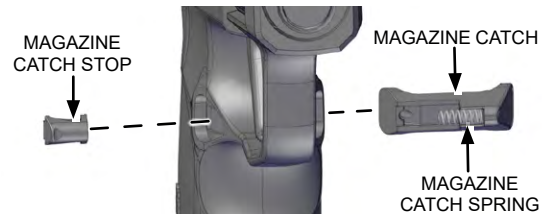
1. Ensure that the magazine is removed and the pistol is unloaded and cleared. See *9.5 Unloading and Clearing the Pistol on page 33.*
2. Press and hold the magazine catch until the opposite side of the button protrudes from the other side of the grip. The hole in the magazine catch should be visible.



3. Press the end of a small round pin, such as a paper clip, into the hole of the magazine catch button. Using a back and forth motion, slide the magazine catch stop out as far as possible. Repeat until the magazine catch stop can be removed.



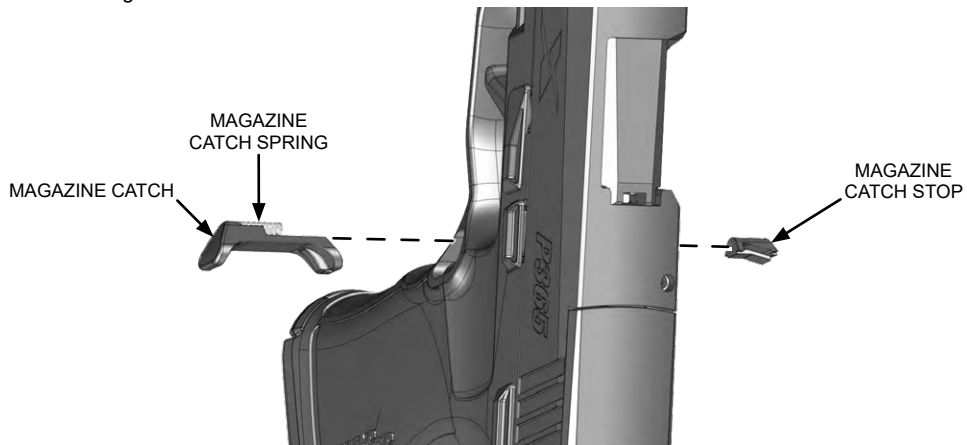
4. Remove the magazine catch stop, magazine catch, and magazine catch spring from the grip module.





12.3.2 MAGAZINE CATCH INSTALLATION

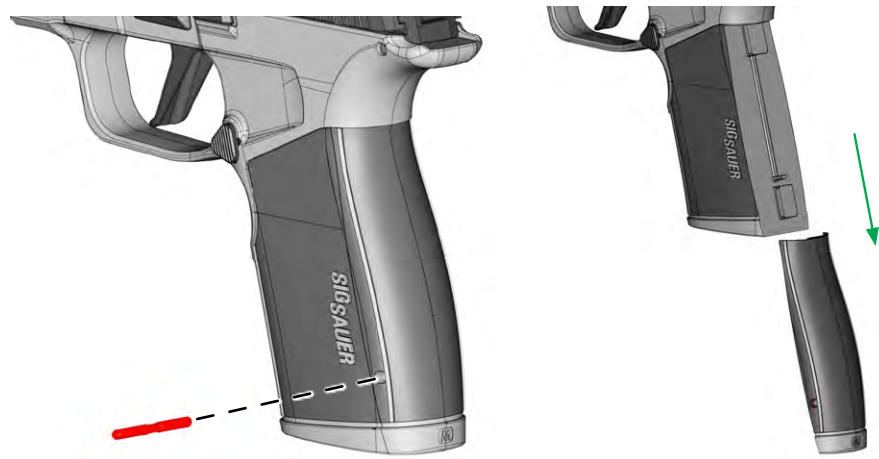
1. Insert the magazine catch and spring into the desired side of the grip module and completely press the magazine catch.
2. Insert the magazine catch stop into the magazine catch until it snaps into place. Release the magazine catch.



12.4 BACKSTRAP REMOVAL AND INSTALLATION

12.4.1 BACKSTRAP REMOVAL

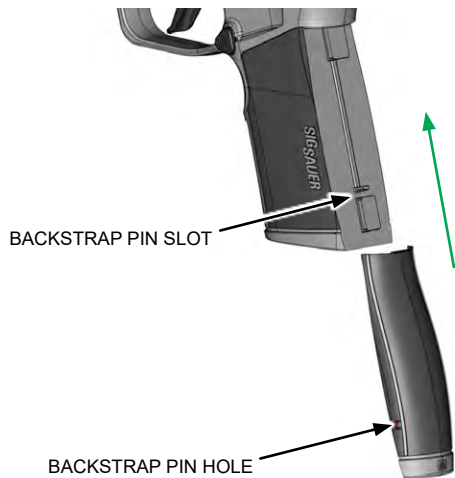
1. Using a 3/32 in. pin punch, push the backstrap pin out of the grip module.
2. Slide the backstrap down off of the grip module.



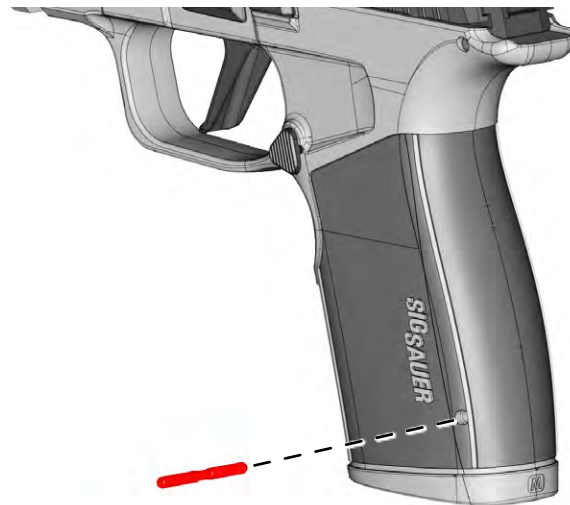


12.4.2 BACKSTRAP INSTALLATION

1. Slide the backstrap up onto the rear of the grip module and align the back strap pin holes with the slot in the bottom lug of the grip module.



2. Install the backstrap pin into the pin hole and push until just under flush.

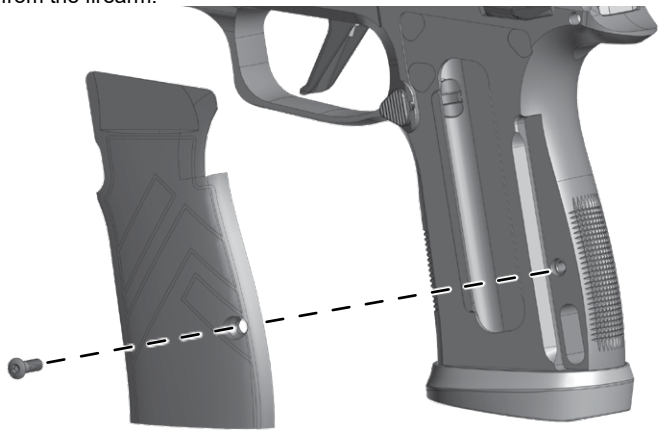




12.5 AXG GRIP PANEL REMOVAL AND INSTALLATION

12.5.1 GRIP PANEL REMOVAL

1. Using a T10 TORX® drive bit, unscrew the lower grip panel screw and remove it and the grip panel from the firearm.



2. Repeat for the grip panel on the other side.

12.5.2 GRIP PANEL INSTALLATION

1. Install the grip panel to the firearm, ensuring that the hole for the screw threads is aligned.
2. Using a T10 drive bit, install the lower grip panel screw and tighten to 12 in-lbf.



3. Repeat for the grip panel on the other side.



12.6 FIRE CONTROL UNIT (FCU) REMOVAL AND INSTALLATION

12.6.1 FCU REMOVAL

NOTE

Removing the frame pin from the left side of the grip assembly prevents undue wear on the frame retaining pin spring.

1. Remove the slide assembly. Disassembling the barrel, recoil spring, and recoil spring guide is not necessary. See *11.1 Field Strip the Pistol on page 50*.
2. Push the frame pin out from the left side of the grip assembly with a 3/32 in. pin punch.



3. Lift the rear of the frame and remove the FCU from the grip assembly.



CAUTION

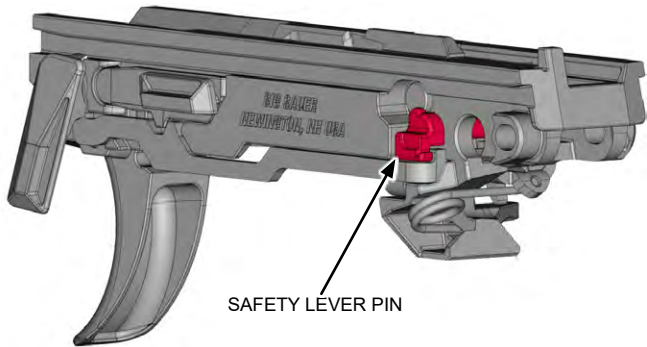
NO FURTHER DISASSEMBLY OF THE FIRE CONTROL UNIT (FCU) IS AUTHORIZED.



12.6.2 FCU INSTALLATION

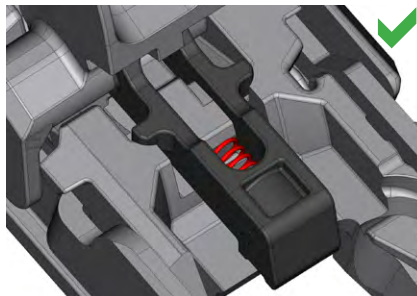
CAUTION

THE CUSTOM WORKS P365 (FCU) COMES SHIPPED WITH THE TAKEDOWN LEVER IN THE HORIZONTAL INSTALLED POSITION. USE CAUTION WHEN ROTATING THE TAKEDOWN LEVER FOR FCU INSTALLATION AS THE SAFETY LEVER PIN MAY WALK OUT, CAUSING MISALIGNMENT OF INTERNAL COMPONENTS. IF THIS OCCURS, STOP INSTALLATION AND CONTACT SIG SAUER CUSTOMER SERVICE.

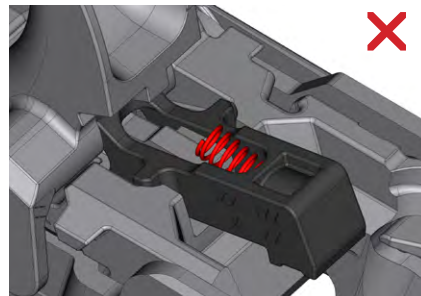


CAUTION

THE MAGAZINE DISCONNECT MECHANISM (IF EQUIPPED) MAY BECOME DISLODGED WHEN THE FCU IS REMOVED FROM THE GRIP MODULE. VERIFY THE MAGAZINE DISCONNECT MECHANISM SPRING IS INSTALLED PRIOR TO LOWERING THE FCU INTO THE GRIP MODULE TO ENSURE THE MAGAZINE DISCONNECT MECHANISM FUNCTIONS CORRECTLY.



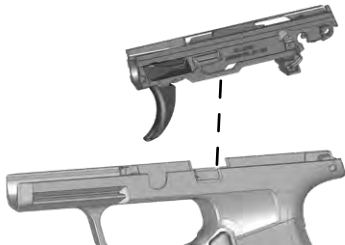
MAGAZINE DISCONNECT
MECHANISM SPRING
INSTALLED



MAGAZINE DISCONNECT
MECHANISM SPRING
DISLODGED



1. Angle the FCU slightly forward and lower it into the grip, lining up the trigger and takedown lever into the grip module.



2. Push the FCU forward to ensure that it is fully seated, then rotate the rear end of the FCU into the grip module.



NOTE

Installing the frame pin from the left side of the grip assembly prevents undue wear on the frame retaining pin spring.

3. Ensure the rear of the FCU lines up with the frame pin hole and that the takedown lever is rotated clockwise.
4. Install the frame pin into the left side of the grip assembly.



**13.0 SIGHTS****WARNING TRITIUM SIGHTS****SPECIAL CONSIDERATIONS FOR DAMAGED NIGHT SIGHTS**

SOME SIG SAUER PISTOLS COME EQUIPPED WITH SIGHTS THAT CONTAIN RADIOACTIVE MATERIAL FOR ILLUMINATION DURING LOW LIGHT CONDITIONS (“NIGHT SIGHTS”). THESE SIGHTS ARE COMMONLY MARKED “H3”. THE RADIATION SOURCE IS HYDROGEN-3 (H3), ALSO KNOWN AS TRITIUM, CONTAINED IN A SEALED VIAL. SIG SAUER NIGHT SIGHTS CONTAIN LESS THAN 90MCI OF TRITIUM AND MEET THE UNITED STATES NUCLEAR REGULATORY COMMISSION (NRC) REQUIREMENT 10 CFR 32.23.

THE OPERATIONAL TEMPERATURE RANGE OF SIG SAUER TRITIUM SIGHTS IS -30°C/-22°F TO +60°C/+140°F. THE BETA RADIATION EMITTED BY TRITIUM IS ONLY A HAZARD IF THE TRITIUM VIAL IS BROKEN AND INGESTED OR INHALED. THE BODY DOES NOT EASILY RETAIN HYDROGEN OR TRITIUM AS A GAS. HOWEVER, THE BURNING OF TRITIUM PRODUCES TRITIUM OXIDE WHICH IS 10,000 TIMES MORE HAZARDOUS. FOR THIS REASON, GREAT CARE SHOULD BE TAKEN TO AVOID FLAME IN THE PRESENCE OF DAMAGED TRITIUM SIGHTS.



AFTER CONTACT WITH A SUSPECTED DAMAGED TRITIUM SIGHT, CAREFULLY WASH HANDS WITH SOAP AND WATER. DO NOT HANDLE DAMAGED SIGHTS WITH OPEN SKIN CUTS OR ABRASIONS. DO NOT EAT, DRINK, SMOKE OR APPLY COSMETICS IN THE PRESENCE OF DEFECTIVE OR DAMAGED TRITIUM NIGHT SIGHTS.

**WARNING TRITIUM SIGHTS****SPECIAL HANDLING FOR REPAIR, RETURN, OR DISPOSAL**

END USER IS EXEMPT FROM ANY REGULATORY RESPONSIBILITY.

USE ONLY A PROPER SIGHT INSTALLATION/PUSHER TOOL. USE OF A PUNCH MAY DAMAGE THE TRITIUM VIAL.

DO NOT ATTEMPT TO DISASSEMBLE OR REPAIR A TRITIUM NIGHT SIGHT.

TRITIUM NIGHT SIGHTS ARE EXPECTED TO LOSE APPROXIMATELY HALF THEIR BRIGHTNESS AFTER 5 YEARS. TRITIUM NIGHT SIGHTS SHOULD BE DISPOSED OF IN ACCORDANCE WITH LOCAL REGULATIONS AND SHOULD NEVER BE BURNED.

SIG SAUER WILL RESPONSIBLY DISPOSE OF OLD OR DAMAGED TRITIUM NIGHT SIGHTS.

PLEASE CONTACT SIG SAUER CUSTOMER SERVICE FOR INSTRUCTIONS TO RETURN OLD OR DAMAGED NIGHT SIGHTS FOR DISPOSAL OR TO OBTAIN RETURN MERCHANDISE AUTHORIZATION FOR REPAIR OR RETURN OF ITEMS STILL UNDER WARRANTY.



13.1 GENERAL INFORMATION

SIG SAUER P365 pistols are equipped with drift-adjustable X-RAY® sights. The sights consist of a rear sight and a front sight blade designed and dimensioned to ensure rapid target acquisition even when visibility is poor.

CAUTION

SIG SAUER SUGGESTS THAT FIXED-SIGHT CORRECTIONS SHOULD BE PERFORMED ONLY BY A CERTIFIED SIG SAUER ARMORER. OTHERWISE, THE PISTOL COULD BECOME DAMAGED.

NOTE

XSERIES pistols feature drift adjustable front sights and non-adjustable rear sights.

13.2 WINDAGE (LEFT/RIGHT) ADJUSTMENTS



WARNING SIGHT ADJUSTMENT

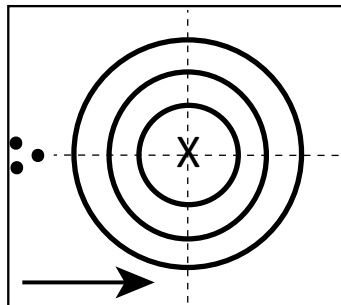


SIGHT CORRECTIONS SHOULD BE PERFORMED ONLY ON AN UNLOADED FIREARM. MANIPULATING THE SIGHTS ON A LOADED FIREARM COULD RESULT IN UNINTENTIONAL DISCHARGE, CAUSING SERIOUS INJURY, DEATH, OR PROPERTY DAMAGE. VISUALLY AND PHYSICALLY CONFIRM THAT THE PISTOL IS UNLOADED AND CLEARED BEFORE MAKING SIGHT ADJUSTMENTS. DO NOT ADJUST SIGHTS ON A LOADED FIREARM.

NOTE

SIG SAUER has a Sight Adjustment Tool available that makes it easier to adjust and change fixed sights.

Change windage by moving the rear sight either to the left or right in its dovetail. When you do this, follow the rear sight rule: Move the rear sight in the direction you want the group to go. Moving the rear sight 0.016" in the dovetail changes the point of impact by approximately 3" at 25 yards.

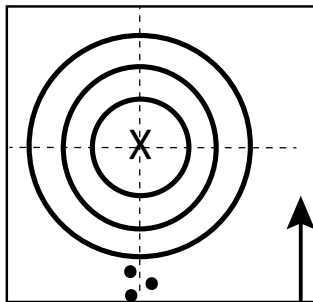


IMPACT LEFT OF POINT OF AIM



13.3 ELEVATION (UP/DOWN) ADJUSTMENTS

There are different height combinations available for the front and rear sights. The sights are numbered according to their height. You can change elevation by changing either the rear or front sight. There are multiple front and rear sight heights available. Each rear sight number change will move the impact of the bullet approximately 2" at 25 yards. Each front sight number change will move the impact of the bullet approximately 1" at 25 yards.

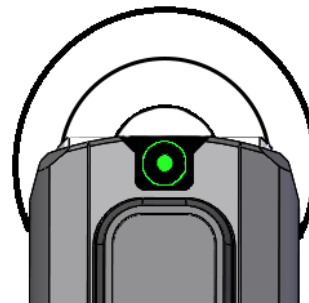


IMPACT BELOW POINT OF AIM

When changing sights, remember this rule: NUMBERS UP, GROUPS UP; NUMBERS DOWN, GROUPS DOWN. This is true for both front and rear sights.

13.4 BULLSEYE® SIGHT (SAS ONLY)

The P365 SAS features a Meprolight® Bullseye™ optical pistol sight. This sight is a fixed low profile sight that provides an illuminated circle and dot aperture in the shooter's field of vision, eliminating the need for a front sight. When aiming with the eye sight, the shooter aligns the dot in the center of the circle at the desired point of impact.



EYE SIGHT
PICTURE



13.5 ELECTRO-OPTICS

Factory installed ROMEO electro optics sights may or may not have MOTAC™ (Motion Activated Illumination System) capabilities. Always ensure that the optic is powered off when not in use to conserve battery life.

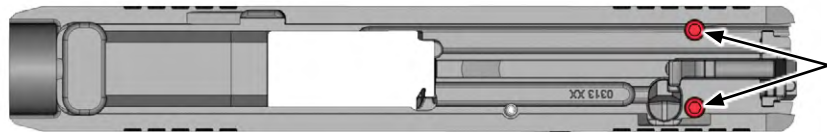
For SIG SAUER ELECTRO-OPTICS adjustments, please see the Operator's Manual for the specific sight. Scan the QR code below to visit the sigsauer.com website and download operator's manuals.



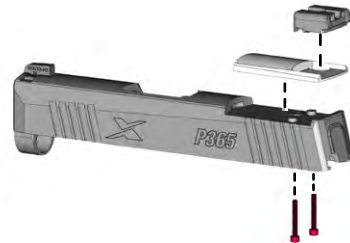
13.6 SIGHT PLATE REMOVAL AND INSTALLATION

13.6.1 SIGHT PLATE REMOVAL

1. Field strip the pistol. See section 11.1 *Field Strip the Pistol* on page 50.
2. Using a 5/64 in. hex drive bit, remove the sight plate screws from the bottom of the slide.*



3. Remove the sight plate and rear sight.



*Includes patented optic cut technology designed by ZEV Technologies. Patent number: RE47335



13.6.2 SIGHT PLATE INSTALLATION

NOTE

Sight plate screws are for securing the rear sight and sight plate only.

1. Align the screw holes of the rear sight with the holes in the slide and install the screws. Using a 5/64 in. hex drive bit, torque the sight plate screws to 8 in-lbf.



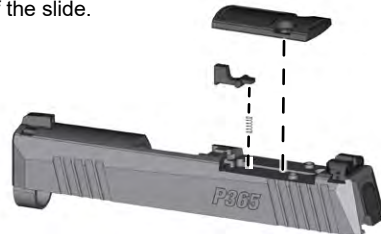
13.7 OPTIC FILLER PLATE REMOVAL AND INSTALLATION

13.7.1 OPTIC FILLER PLATE REMOVAL

1. Field strip the pistol. See section 11.1 *Field Strip the Pistol* on page 50.
2. Using a T10 drive bit, remove the optic filler plate screws from the top of the slide.



3. Remove the optic filler plate to expose the LCI (if equipped) then remove the LCI and LCI spring from the top of the slide.



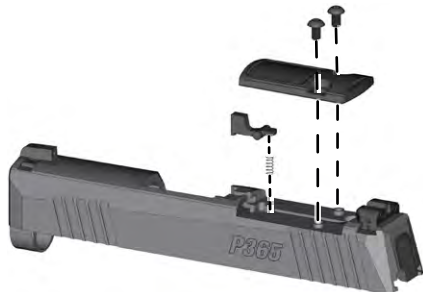


13.7.2 OPTIC FILLER PLATE INSTALLATION

NOTE

Optic filler plate screws are for securing the optic filler plate only.

1. If equipped with an LCI, place the LCI spring into the slot in the top of the slide.
2. Install the LCI into the slide and onto the LCI spring.
3. Install the optic filler plate onto the slide and hold the LCI and spring in place.
4. Align the screw holes of the optic filler plate with the holes in the slide and install the screws. Using a T10 drive bit, torque the optic filler plate screws to 8 in-lbf.



13.8 ROMEOZERO RED DOT OPTIC INSTALLATION AND REMOVAL

13.8.1 ROMEOZERO REMOVAL

1. Using a 2mm. hex drive bit, remove the ROMEOZero mounting screws from the top of the slide.



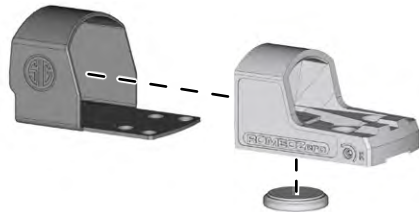
2. Remove the ROMEOZero from the slide and pull it out of the shroud (if equipped). Do not lose the battery and chemical shield.





13.8.2 ROMEOZERO INSTALLATION

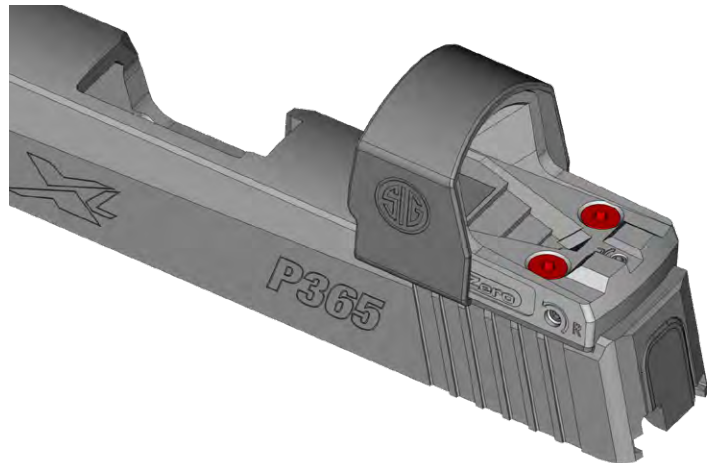
1. Insert the battery into the bottom of the ROMEOZero with the positive (+) side facing the slide. While holding the battery in place, insert both into the shroud (if equipped).



2. Align the holes of the ROMEOZero, shroud, chemical shield, and slide then assemble the optic to the slide.



3. Using a 2mm hex wrench, install the ROMEOZero screws and torque to 9 in-lbf.
4. Refer to the ROMEOZero manual for sight adjustments and to zero optic.





14.0 STORAGE AND TRANSPORTATION



WARNING UNLOAD/CLEAR



FAILURE TO ENSURE THE FIREARM IS UNLOADED AND CLEARED COULD RESULT IN UNINTENTIONAL DISCHARGE, CAUSING SERIOUS INJURY, DEATH, OR PROPERTY DAMAGE.

REMOVING THE MAGAZINE FROM THE FIREARM DOES NOT PREVENT A CHAMBERED ROUND FROM BEING FIRED UNLESS THE FIREARM IS EQUIPPED WITH A MAGAZINE DISCONNECT MECHANISM.



WARNING STORAGE

NEVER PLACE OR STORE ANY FIREARM IN SUCH A MANNER THAT IT MAY BE DISLODGED. FIREARMS SHOULD ALWAYS BE STORED, LOCKED, UNLOADED, SEPARATE FROM THEIR AMMUNITION, AND INACCESSIBLE TO CHILDREN AND ANY OTHER UNAUTHORIZED PERSON. THE USE OF A LOCKING DEVICE OR SAFETY LOCK IS ONLY ONE ASPECT OF RESPONSIBLE FIREARMS STORAGE. FAILURE TO PROPERLY STORE FIREARMS MAY CAUSE SERIOUS INJURY OR DEATH TO SELF OR OTHERS, OR PROPERTY DAMAGE.

Short Term Storage (90 days or less)

1. Ensure the chamber and magazine do not contain live ammunition.
2. Clean the bore and chamber.
3. Apply a generous coat of CLP to the chamber and bore.
4. Apply a light coat of CLP to all other metal surfaces for corrosion protection.

Long Term Storage (90 days or longer)

1. Ensure the firearm is thoroughly cleaned.
2. Apply a medium coat of CLP to the chamber and bore.
3. Apply a light coat of CLP to all other metal surfaces for corrosion protection.
4. Wrap the firearm with a waterproof material.
5. Place the firearm in a corrosion resistant barrier bag.

Environmental Storage Recommendations (Armory)

Provide humidity control to limit the relative humidity to no greater than 40% at 80°F (26.7°C). If personnel will be working in these areas, design to 68°F (20.0°C) dry bulb and 40% RH for indoor design heating conditions, and 75°F (23.9°C) dry bulb and 40% RH for indoor design cooling conditions.



15.0 TROUBLESHOOTING GUIDE

15.1 STOPPAGES



WARNING STOPPAGE



STOP FIRING IMMEDIATELY. UNLOAD AND CLEAR THE FIREARM.

A stoppage is an interruption in the pistol's cycle of function that can be cleared by the operator taking immediate action. Immediate action consists of steps taken by the operator to place the pistol back in service without investigating the cause of the stoppage.

Immediate action:

1. Keep the firearm pointed in a safe direction.
2. Unload and clear the firearm immediately by removing the magazine, locking the slide to the rear, and clearing any ammunition from the firearm.
3. Visually and physically checking the chamber, breech face, and magazine well.

With the firearm unloaded and cleared, perform an additional visual inspection of the firearm and the ammunition. If a bore obstruction exists, refer to *15.2 Obstructed Bore on page 107*. If damage to the firearm is found, the stoppage persists, or a malfunction is suspected, take the firearm to a certified SIG SAUER Armorer for service.

15.2 OBSTRUCTED BORE



WARNING OBSTRUCTED BORE



STOP FIRING IMMEDIATELY AND KEEP THE FIREARM POINTED IN A SAFE DIRECTION. UNLOAD AND CLEAR THE FIREARM. DO NOT FIRE ANOTHER ROUND UNTIL THE OBSTRUCTION IS CLEARED. FAILURE TO COMPLY CAN RESULT IN SERIOUS INJURY OR DEATH TO THE OPERATOR AND/OR OTHERS AND CATASTROPHIC DAMAGE TO THE FIREARM.

Immediately stop shooting and keep the firearm pointed in a safe direction whenever:

- There is difficulty or unusual resistance in chambering a cartridge;
- A cartridge misfires (does not go off);
- The mechanism fails to extract a fired cartridge case;
- Unburned grains of propellant powder are discovered spilled in the mechanism;
- A shot sounds weak or abnormal.

It is possible that a bullet is lodged part way down the barrel. If a bullet is in the bore, do not attempt to shoot it out by using another cartridge or by blowing it out with a blank or a cartridge from which the bullet has been removed. Firing a subsequent bullet into the obstructed barrel can damage the firearm and cause serious injury to the shooter or bystanders. Bullets can become lodged in the barrel when the cartridge has been improperly loaded without propellant powder, the powder fails to ignite, or the bullet was not properly seated in the cartridge case.



If it is suspected that a bullet is obstructing the barrel, immediately unload and clear the firearm. Field strip the firearm and look through the bore of the barrel. It is not sufficient to merely look in the chamber; a bullet may be lodged some distance down the barrel where it cannot easily be seen. Attempt to remove the bullet by tapping it out with a cleaning rod. If the bullet can be removed, clean any unburned powder grains from the bore, chamber, and mechanism before resuming shooting. If the bullet cannot be dislodged by tapping it with a cleaning rod, take the firearm to a certified SIG SAUER Armorer.

15.3 COOK-OFF



WARNING COOK-OFF



COOK-OFF IS DEFINED AS A CHAMBERED CARTRIDGE DETONATING DUE TO THE HEAT OF THE BARREL. FAILURE TO COMPLY WITH THE BELOW LISTED STEPS COULD RESULT IN DEATH, SERIOUS INJURY, OR PROPERTY DAMAGE.

If the pistol stops firing with a cartridge in the chamber of a hot barrel due to a misfire or stoppage, remain calm and do the following:

1. Keep the pistol pointed in a safe direction.
2. Immediately remove the magazine and chambered cartridge.
3. If the cartridge cannot be removed within 10 seconds, keep pistol pointed in a safe direction and wait at least 15 minutes for the chamber and barrel to cool, then remove the cartridge.

15.4 GENERAL STOPPAGES

Stoppage	Cause	Correction
Failure to Feed		
No cartridge fed into chamber (cartridge partially still in magazine)	Magazine not properly inserted or is deformed or dirty	Correctly insert magazine or replace magazine
	Damaged/broken magazine spring	Replace magazine
Failure to Chamber		
Cartridge is free from magazine but not fully seated into chamber	Dirty chamber	Clean chamber
	Damaged ammunition	Replace ammunition
	Weak or broken recoil spring guide assembly	Contact Customer Service
Failure to Fire		
Trigger is fully pulled but round does not fire	Faulty ammunition	Replace ammunition
	Slide not fully locked forward	Pull slide to rear and release
	Magazine not fully inserted (if equipped with magazine disconnect mechanism)	Insert magazine fully
	Damaged/broken striker assembly	Contact Customer Service



Stoppage	Cause	Correction
Failure to Extract		
Expend case remains in chamber	Dirty chamber	Clean chamber/bore
	Damaged extractor	Contact Customer Service
Failure to Eject		
Expend case remains in ejection port	Damaged ejector / slide catch lever	Contact Customer Service

15.5 MINIMIZING STOPPAGES

- Most stoppages can be minimized by cleaning and lubricating the pistol. See *11.2 Cleaning and Lubrication on page 54*.
- Cleaning and lubricating the pistol after each range session will reduce the chances of a stoppage due to dirt and residue buildup.
- Perform maintenance if the firearm is exposed to extreme environmental conditions (rain, snow, freezing temperatures, etc.).
- Periodically inspect the pistol if it is to be stored for extended periods of time without use.
- Perform maintenance of the magazines as well as the firearm. See section *11.4 Magazine Maintenance on page 64*.
- Mark the magazines so that magazines related to a stoppage can be easily identified.

16.0 REPLACEMENT PARTS POLICY



WARNING

IT IS THE PURCHASER'S RESPONSIBILITY TO BE ABSOLUTELY CERTAIN THAT ANY PARTS ORDERED FROM THE FACTORY ARE CORRECTLY FITTED AND INSTALLED. FIREARMS ARE COMPLICATED MECHANISMS AND IMPROPER FITTING OF PARTS MAY RESULT IN A DANGEROUS MALFUNCTION, DAMAGE TO THE FIREARM, AND SERIOUS INJURY TO THE SHOOTER AND OTHER PERSONS. THE PURCHASER AND INSTALLER OF PARTS MUST ACCEPT FULL RESPONSIBILITY FOR THE CORRECT ADJUSTMENT AND FUNCTIONING OF THE FIREARM AFTER SUCH INSTALLATION.

Parts Policy

Our Service Department maintains a full complement of replacement parts. Even though most gunsmiths have the knowledge, training, and the ability to make necessary repairs to the firearm, the skill and workmanship of any particular third-party gunsmith is totally beyond our control.

Should the firearm ever require service, it is strongly recommended that it be returned to SIG SAUER Inc. A firearm is a precision instrument and some replacement parts will require individual fitting to ensure correct operation. A wrong part, improper fitting, or incorrect mechanical adjustment may result in an unsafe condition or dangerous malfunction, damage to the firearm, or cause possible serious injury to the shooter or others.



IF ANY PART IS ORDERED WITHOUT RETURNING THE FIREARM TO SIG SAUER, Inc. the customer bears full responsibility for ensuring that the part supplied is correct for their particular firearm and is properly installed and fitted by a qualified gunsmith.

SIG SAUER INC. IS NOT RESPONSIBLE FOR THE FUNCTIONING OF ANY FIREARM IN WHICH REPLACEMENT PARTS ARE INSTALLED BY OTHERS.

THE USE OF UNAUTHORIZED AFTERMARKET PARTS WILL VOID THE WARRANTY OF THIS FIREARM. THE REPLACEMENT OF ORIGINAL EQUIPMENT MANUFACTURER (OEM) SIG SAUER PARTS WITH AFTERMARKET PARTS IS UNAUTHORIZED AND IN SOME INSTANCES COULD ALTER THE FUNCTION OF THE FIREARM, CREATING A DANGER TO THE OPERATOR.

Scan the QR code below to visit the Small Parts Shopper page at sigsauer.com.

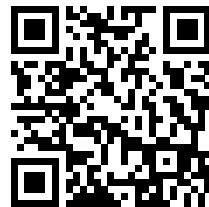


17.0 FACTORY REPAIR OF THE FIREARM

Contact Customer Service for questions or concerns regarding the performance or serviceability of the firearm. There are three ways to contact Customer Service:

Have the firearm's serial number available before contacting Customer Service.

1. Call (603) 610-3000, choose option 1.
2. Email CustomerService@sigsauer.com.
3. Go to <https://www.sigsauer.com/customer-support> to message Customer Service electronically. Scan the QR code below to visit the Customer Support page at sigsauer.com.





17.1 RETURNING FIREARMS FOR REPAIR

Do not ship a firearm without an RMA number provided by Customer Service.



WARNING DO NOT SHIP AMMUNITION

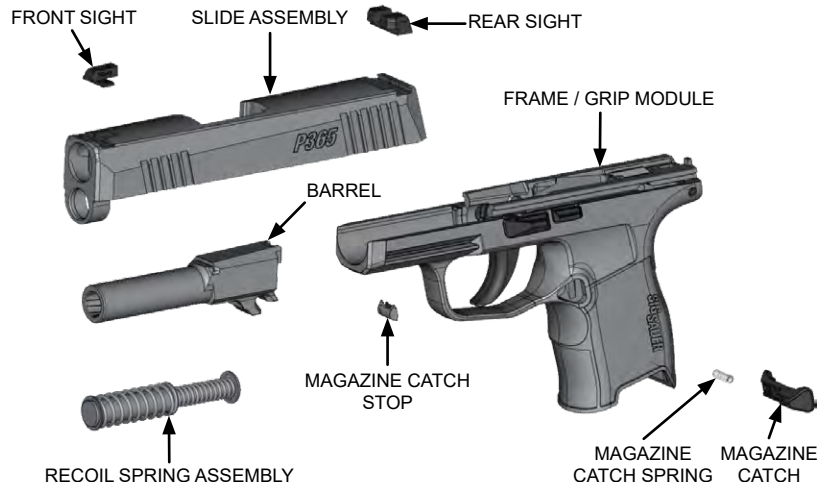


BEFORE SHIPPING ANY FIREARM, BE ABSOLUTELY CERTAIN THAT THE FIREARM AND MAGAZINES ARE UNLOADED. DO NOT SHIP AMMUNITION WITH A FIREARM.

1. The RMA number allows SIG SAUER to track the status of the return from the time SIG SAUER receives the firearm until it is returned.
2. Package the firearm securely to prevent damage.
3. Do not include any accessories such as scopes or mounts unless directed to do so.
4. Some states and localities, require firearms to be shipped and returned to SIG SAUER using a federally licensed firearms dealer.
5. Federal law prohibits persons who do not possess a Federal Firearms License (FFL) from shipping a firearm via the U.S. Postal Service.
6. Any shipment of firearms outside U.S. borders is subject to the export laws of the United States and to the valid laws of the specific country.
7. SIG SAUER is not responsible for any damage to a firearm during shipping until it is received.
8. Firearms must be insured and prepaid prior to shipment (SIG SAUER does not accept collect shipments) to the address provided by Customer Service.

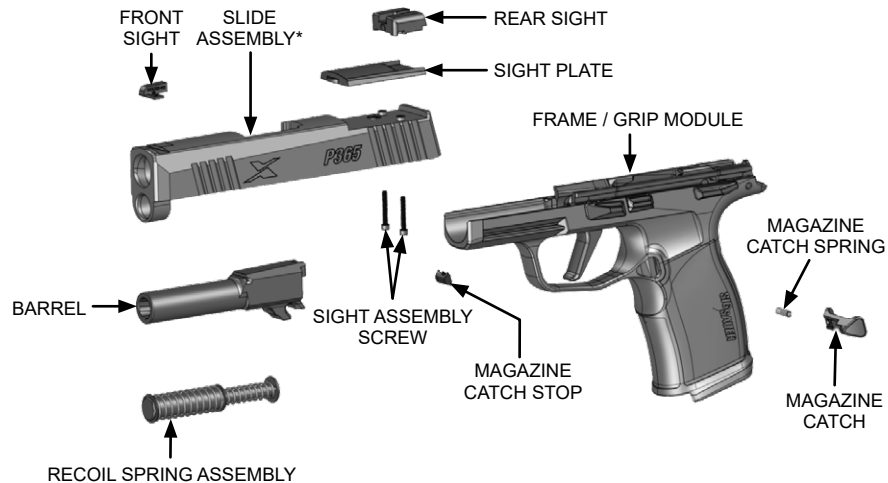
18.0 P365 PARTS DIAGRAMS

18.1 P365 STANDARD PARTS DIAGRAM



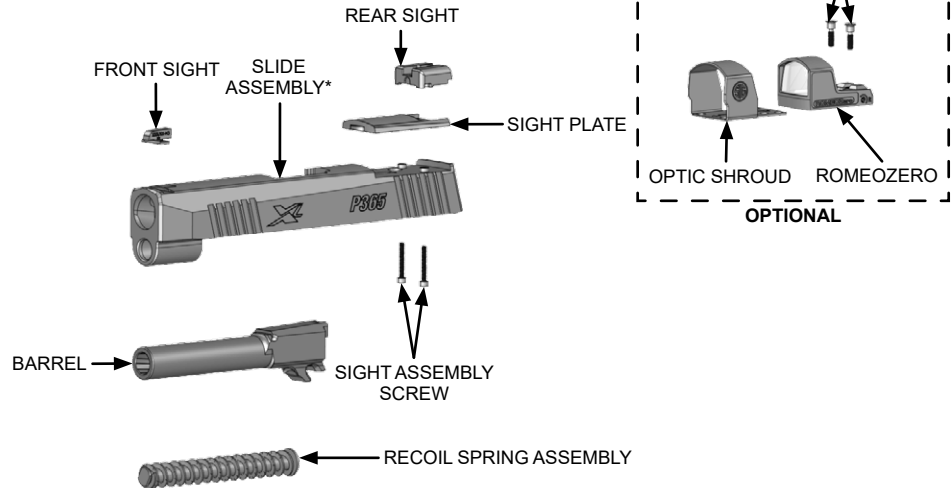


18.2 P365-XSERIES PARTS DIAGRAM



* INCLUDES PATENTED OPTIC CUT TECHNOLOGY DESIGNED BY ZEV TECHNOLOGIES™, PATENT NUMBER RE47335

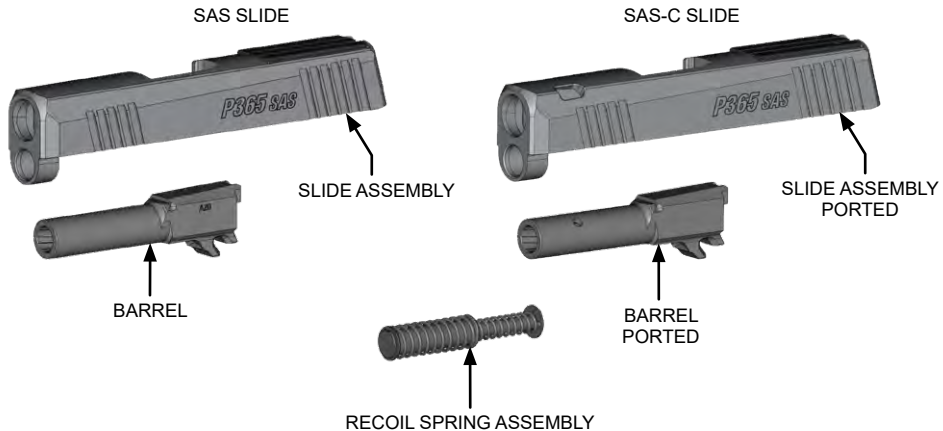
18.3 P365XL PARTS DIAGRAM



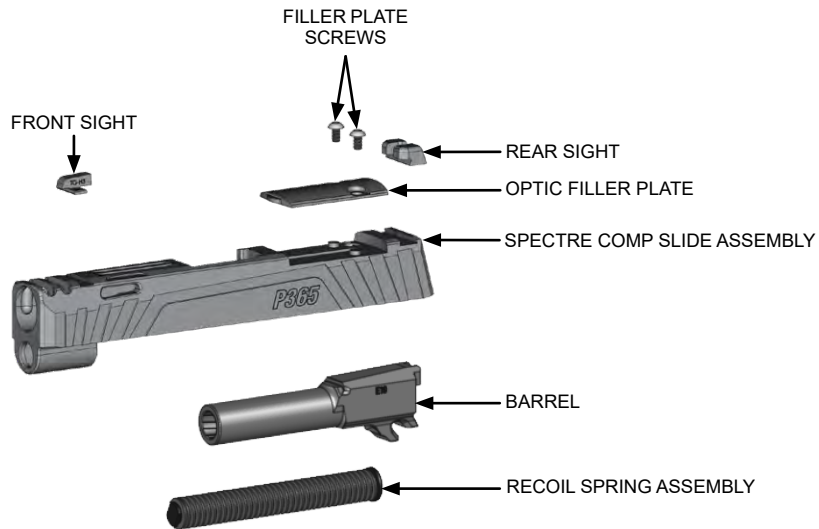
* INCLUDES PATENTED OPTIC CUT TECHNOLOGY DESIGNED BY ZEV TECHNOLOGIES™, PATENT NUMBER RE47335



18.4 P365 SAS PARTS DIAGRAM

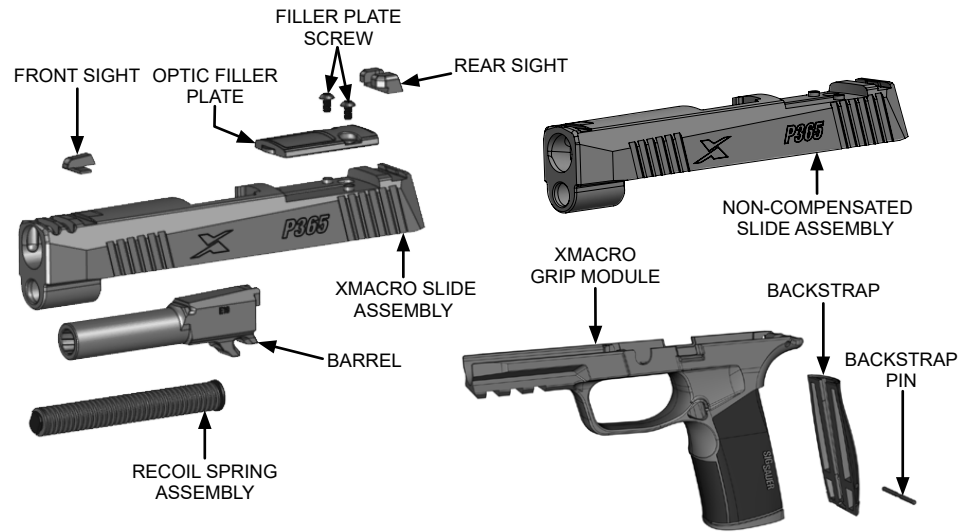


18.5 P365 SPECTRE COMP PARTS DIAGRAM

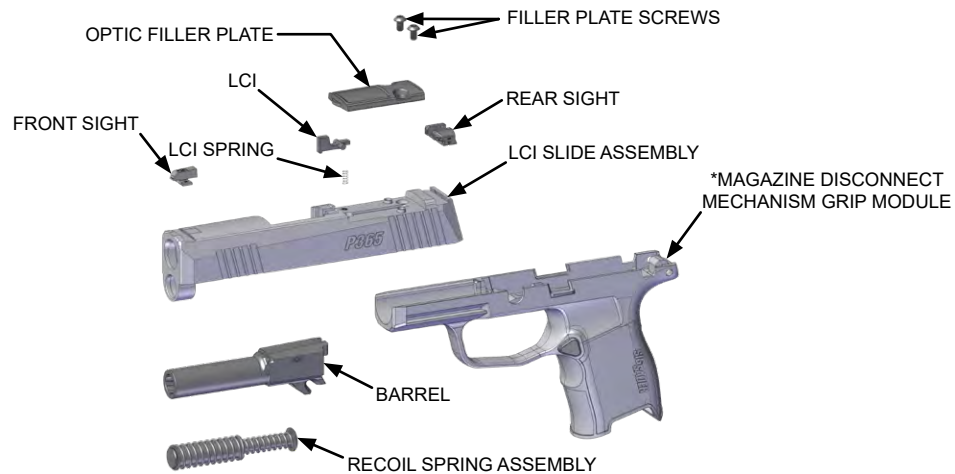




18.6 P365-XMACRO™ PARTS DIAGRAM



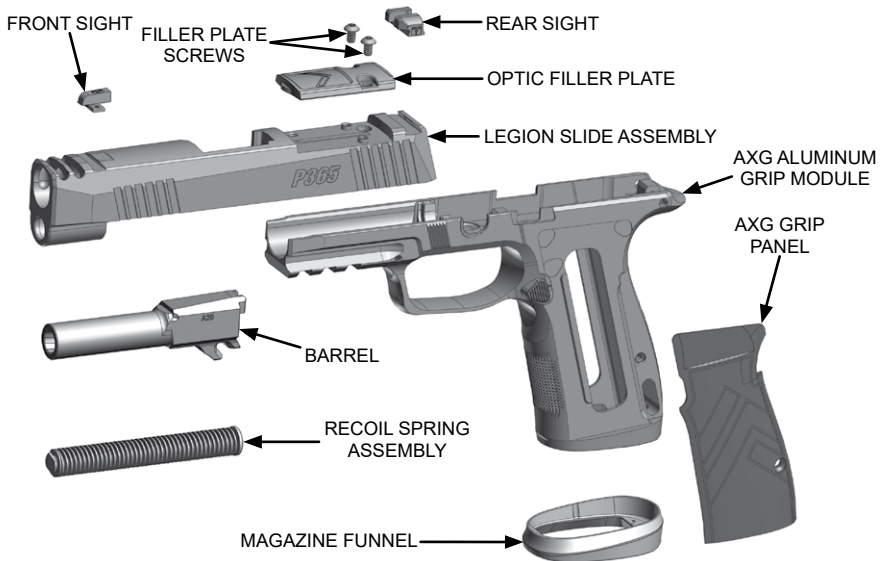
18.7 P365 CALIFORNIA COMPLIANT PARTS DIAGRAM



*The magazine disconnect mechanism grip module is compatible with any FCU equipped with a manual safety. Magazine disconnect mechanisms are only available in California compliant FCU's.



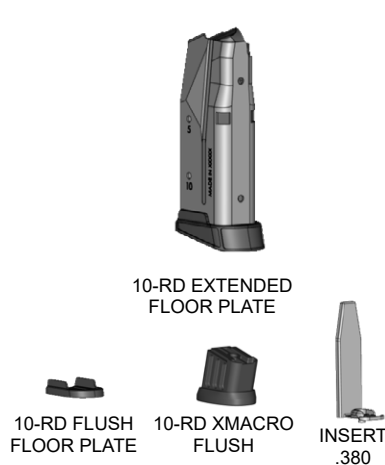
18.8 P365 AXG LEGION PARTS DIAGRAM



18.9 OPTIONAL MAGAZINES

Magazine springs (not shown) are unique to caliber and capacity.

10-ROUND MAGAZINE*



12-ROUND MAGAZINE



15-ROUND MAGAZINE



*10-RD Magazines available for X/XL.

**17-ROUND MAGAZINE**17-RD XMACRO
FLOOR PLATE17-RD X/XL
FLOOR PLATE17-RD FLOOR
PLATE**21-ROUND MAGAZINE**

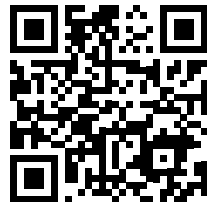
21-RD FLOOR PLATE

25-ROUND MAGAZINE

25-RD FLOOR PLATE

SIG SAUER INFINITE GUARANTEE™

For warranty information on new SIG SAUER firearms, scan the QR code below to visit the SIG SAUER Warranty Information and Registration page. New firearms can also be registered and warranty information can be found on the website.





NOTES:

NOTES:

SIG SAUER®

sigsauer.com

**SIG SAUER, Inc.
72 Pease Boulevard, Newington, NH 03801 USA**

All trademarks, service marks, trade names, trade dress, product names, and logos appearing in this manual are the property of their respective owners. No trademark or service mark appearing in this manual may be used without written consent of the mark's owner.